

INSTALLATION GUIDE

AXIS M32 Network Camera Series

AXIS M3203 Network Camera

AXIS M3203-V Network Camera

AXIS M3204 Network Camera

AXIS M3204-V Network Camera

ENGLISH

FRANÇAIS

DEUTSCH

ITALIANO

ESPAÑOL

About this Document

This document includes instructions for installing the AXIS M32 series on your network. Previous experience of networking will be beneficial when installing the product.

Legal Considerations

Video and audio surveillance can be prohibited by laws that vary from country to country. Check the laws in your local region before using this product for surveillance purposes.

This product includes one (1) H.264 decoder license. To purchase further licenses, contact your reseller.


Electromagnetic Compatibility (EMC)

This equipment generates, uses and can radiate radio frequency energy and, if not installed and used in accordance with the instructions, may cause harmful interference to radio communications. However, there is no guarantee that interference will not occur in a particular installation.

If this equipment does cause harmful interference to radio or television reception, which can be determined by turning the equipment off and on, the user is encouraged to try to correct the interference by one or more of the following measures: Re-orient or relocate the receiving antenna. Increase the separation between the equipment and receiver. Connect the equipment to an outlet on a different circuit to the receiver. Consult your dealer or an experienced radio/TV technician for help. Shielded (STP) network cables must be used with this unit to ensure compliance with EMC standards.

USA – This equipment has been tested and found to comply with the limits for a Class B computing device pursuant to Subpart B of Part 15 of FCC rules, which are designed to provide reasonable protection against such interference when operated in a commercial environment. Operation of this equipment in a residential area is likely to cause interference, in which case the user at his/her own expense will be required to take whatever measures may be required to correct the interference.

Canada – This Class B digital apparatus complies with Canadian ICES-003.

Europe –  This digital equipment fulfills the requirements for radiated emission according to limit B of EN55022, and the requirements for immunity according to EN55024 residential and commercial industry.

Japan – This is a class B product based on the standard of the Voluntary Control Council for Interference from Information Technology Equipment (VCCI). If this is used near a radio or television receiver in a domestic environment, it may cause radio interference. Install and use the equipment according to the instruction manual.

Australia – This electronic device meets the requirements of the Radio communications (Electromagnetic Compatibility) Standard AS/NZS CISPR22.

Equipment Modifications

This equipment must be installed and used in strict accordance with the instructions given in the user documentation. This equipment contains no user-serviceable components. Unauthorized equipment changes or modifications will invalidate all applicable regulatory certifications and approvals.

Liability

Every care has been taken in the preparation of this document. Please inform your local Axis office of any inaccuracies or omissions. Axis Communications AB cannot be held responsible for any technical or typographical errors and reserves the right to make changes to the product and documentation without prior notice. Axis Communications AB makes no warranty of any kind with regard to the material contained within this document, including, but not limited to, the implied warranties of merchantability and fitness for a particular purpose. Axis Communications AB shall not be liable nor responsible for incidental or consequential damages in connection with the furnishing, performance or use of this material.

RoHS

This product complies with both the European RoHS directive, 2002/95/EC, and the Chinese RoHS regulations, ACPEIP.



WEEE Directive

The European Union has enacted a Directive 2002/96/EC on Waste Electrical and Electronic Equipment (WEEE Directive). This directive is applicable in the European Union member states. The WEEE marking on this product (see right) or its documentation indicates that the product must not be disposed of together with household waste. To prevent possible harm to human health and/or the environment, the product must be disposed of in an approved and environmentally safe recycling process. For further information on how to dispose of this product correctly, contact the product supplier, or the local authority responsible for waste disposal in your area. Business users should contact the product supplier for information on how to dispose of this product correctly. This product should not be mixed with other commercial waste. For more information, visit <http://www.axis.com/corporate/about/environment.htm>



Support

Should you require any technical assistance, please contact your Axis reseller. If your questions cannot be answered immediately, your reseller will forward your queries through the appropriate channels to ensure a rapid response. If you are connected to the Internet, you can:

- download user documentation and firmware updates
- find answers to resolved problems in the FAQ database. Search by product, category, or phrases
- report problems to Axis support by logging in to your private support area.

AXIS M32 Series Installation Guide

This installation guide provides instructions for installing the AXIS M32 Series on your network. For all other aspects of using the product, please see the User's Manual, available on the CD included in this package, or from www.axis.com/techsup

Installation steps

1. Check the package contents against the list below.
2. Hardware overview. See page 4.
3. Install the hardware. See page 6.
4. Assign an IP address. See page 7.
5. Set the password. See page 10.
6. Adjust the focus. See page 12.
7. Complete the installation. See page 12.

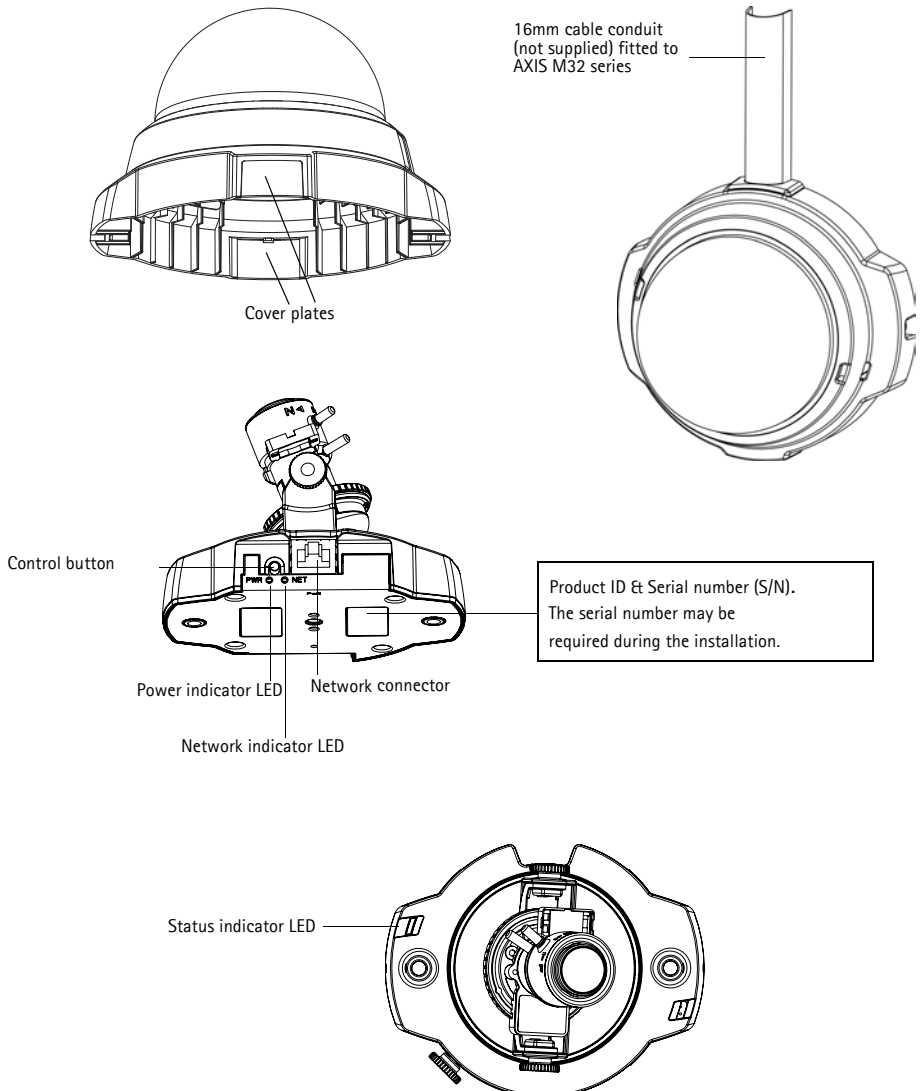
Important!

This product must be used in compliance with local laws and regulations.

1 Package contents

Item	Models/variants/notes
Network camera	AXIS M3203 - Tamper-resistant Network Camera AXIS M3203-V - Vandal-resistant Network Camera AXIS M3204 - Tamper-resistant Network Camera AXIS M3204-V - Vandal-resistant Network Camera
Mounting kit	Screwdriver for tamper-proof screws 2 tamper-proof screws (M4x16 Resitorx) Drill template
CD	AXIS Network Video Product CD, including product documentation, installation tools and other software
Printed Materials	AXIS M32 Series Installation Guide (this document) Axis Warranty Document, AVHS Authentication key

2 Hardware overview



Dimensions

HxWxD = 94 x 144 x 132mm (3.7" x 5.7" x 5.2")

AXIS M3203, AXIS M3204: 425 g (0.94 lb)

AXIS M3203-V, AXIS M3204-V: 580 g (1.28 lb)

LED indicators

LED	Color	Indication
Network	Green	Steady for connection to a 100 Mbit/s network. Flashes for network activity.
	Amber	Steady for connection to 10 Mbit/s network. Flashes for network activity.
	Unlit	No network connection.
Status	Green	Steady green for normal operation. Note: The Status LED can be configured to be unlit during normal operation, or to flash only when the camera is accessed. To configure, go to Setup > System Options > LED . See the online help files for more information.
	Amber	Steady during startup, during reset to factory default or when restoring settings.
	Red	Slow flash for failed upgrade.
Power	Green	Normal operation.
	Amber	Flashes green/amber during firmware upgrade.

3 Install the hardware

! IMPORTANT! - The casing of the AXIS M3203-V and AXIS M3204-V is not approved for outdoor use - the product may only be installed in indoor environments.

Mount the camera

The AXIS M32 Series network cameras can be mounted with the cables routed through the wall/ceiling, or from above or below. There are cover plates for the openings on both sides of the dome cover.

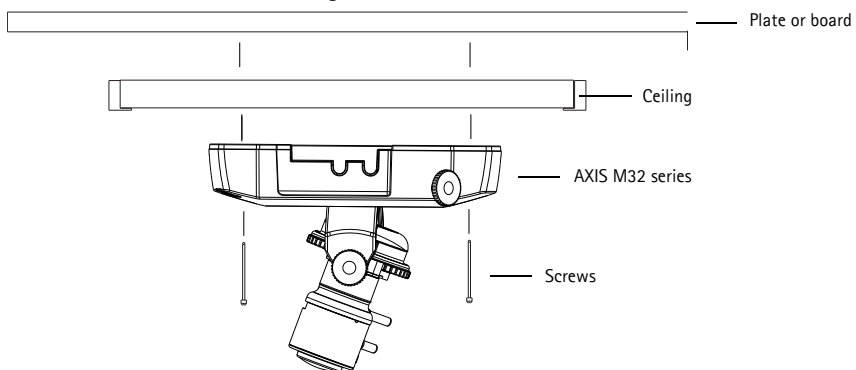
The AXIS M32 Series can also be fitted with a metal conduit for protecting the cabling when connected via the side openings. See the illustrations on page 4.

1. Using the drill template, drill two holes in the ceiling/wall. Ensure the camera is positioned so that the tamper-proof screws can be tightened using the supplied screwdriver.
2. Route the required cables. See *Connect to the network*, on page 7 for details.
3. Fasten the camera unit to a ceiling or wall, using screws and plugs appropriate for the ceiling/wall material.
4. Proceed to *Connect to the network*, on page 7.

Mounting on a drop ceiling

To mount the AXIS M32 Series on a drop ceiling, check that the ceiling is sturdy enough to hold the weight of the camera.

The camera can also be secured using a plate or board that better carries the weight of the camera, and which is more suitable for securing the screws.



The AXIS M32 Series can also be mounted using the AXIS M32 Series Drop Ceiling Mount, which allows the camera to be mounted more discreetly. Please see www.axis.com for all available mounting accessories.

Connect to the network

1. Connect the camera to the network using a shielded network cable.
2. Check that the indicator LEDs indicate the correct conditions. See the table on page 5 for further details. Note that some LEDs can be disabled and may be unlit.

4 Assign an IP address



Follow these instructions to assign an IP address or see page 13 for other methods of connecting the AXIS M32 Series to the Internet.

Assign an IP address

Most networks today have a DHCP server that automatically assigns IP addresses to connected devices. If your network does not have a DHCP server the AXIS M32 Series will use 192.168.0.90 as the default IP address.

If you would like to assign a static IP address, the recommended method in Windows is either **AXIS IP Utility** or **AXIS Camera Management**. Depending on the number of cameras you wish to install, use the method that best suits your purpose.

Both of these free applications are available on the Axis Network Video Product CD supplied with this product, or they can be downloaded from www.axis.com/techsup

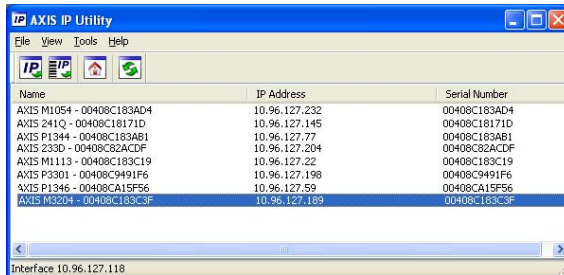
Method	Recommended for	Operating system
 AXIS IP Utility See page 8	Single camera Small installations	Windows
 AXIS Camera Management See page 9	Multiple cameras Large installations Installation on a different subnet	Windows 2000 Windows XP Pro Windows 2003 Server Windows Vista Windows 7

Notes:

- If assigning the IP address fails, check that there is no firewall blocking the operation.
- For other methods of assigning or discovering the IP address of the AXIS M32 Series, e.g. in other operating systems, see page 13.

AXIS IP Utility – single camera/small installation

AXIS IP Utility automatically discovers and displays Axis devices on your network. The application can also be used to manually assign a static IP address.




Note that the computer running AXIS IP Utility must be on the same network segment (physical subnet) as the AXIS M32 Series.

Automatic discovery

1. Check that the AXIS M32 Series is connected to the network and that power has been applied.
2. Start AXIS IP Utility.
3. When the camera appears in the window, double-click it to open its home page.
4. See page 10 for instructions on how to assign the password.

Assign the IP address manually (optional)

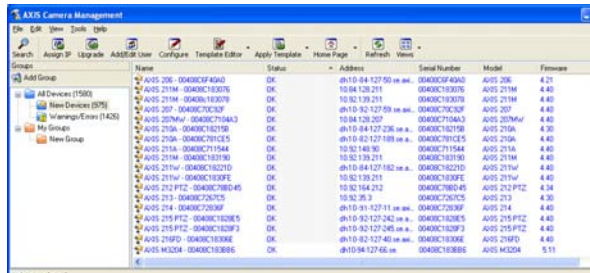
1. Acquire an unused IP address on the same network segment as your computer.
2. Select the AXIS M32 Series network camera in the list.
3. Click the button  Assign new IP address to the selected device and enter the IP address.
4. Click the **Assign** button and follow the on-screen instructions. Note that the camera must be restarted within 2 minutes for the new IP address to be set.
5. Click the **Home Page** button to access the camera's web pages.
6. See page 10 for instructions on how to set the password.

Note:

AXIS M3203-V and AXIS M3204-V will display in AXIS IP Utility as AXIS M3203 and AXIS M3204.

AXIS Camera Management - multiple cameras/large installations

AXIS Camera Management can automatically discover multiple Axis devices, show connection status, manage firmware upgrades and set IP addresses.




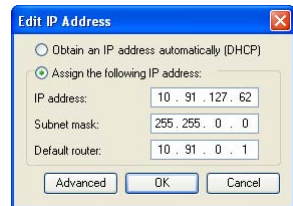
ENGLISH

Automatic discovery

1. Check that the camera is connected to the network and that power has been applied.
2. Start AXIS Camera Management. When the AXIS M32 Series network camera appears in the window, double-click it to open the camera's home page.
3. See page 10 for instructions on how to set the password.


Assign an IP address in a single device

1. Select the AXIS M32 Series network camera in AXIS Camera Management and click the Assign IP button. 
2. Select Assign the following IP address and enter the IP address, subnet mask and default router the device will use.
3. Click the OK button.



Assign IP addresses in multiple devices

AXIS Camera Management speeds up the process of assigning IP addresses to multiple devices, by suggesting IP addresses from a specified range.

1. Select the devices you wish to configure (different models can be selected) and click the Assign IP button. 
2. Select Assign the following IP address range and enter the range of IP addresses, the subnet mask and default router the devices will use.
3. Click the OK button.



Note:

AXIS M3203-V and AXIS M3204-V will display in AXIS Camera Management as AXIS M3203 and AXIS M3204.

5 Set the password

To gain access to the product, the password for the default administrator user `root` must be set. This is done in the 'Configure Root Password' dialog, which is displayed when the AXIS M32 Series network camera is accessed for the first time.

To prevent network eavesdropping when setting the root password, this can be done via an encrypted HTTPS connection, which requires an HTTPS certificate (see note below).

To set the password via a standard HTTP connection, enter it directly in the first dialog shown below.

To set the password via an encrypted HTTPS connection, follow these steps:

1. Click the **Create self-signed certificate** button.
2. Provide the requested information and click **OK**. The certificate is created and the password can now be set securely. All traffic to and from the AXIS M32 Series is encrypted from this point on.
3. Enter a password and then re-enter it to confirm the spelling. Click **OK**. The password has now been configured.

To create an HTTPS connection, start by clicking this button.

To configure the password directly via an unencrypted connection, enter the password here.

Create Certificate
Secure configuration of the root password via HTTPS requires a self-signed certificate.
Create self-signed certificate...

Configure Root Password
User name: root
Password:
Confirm password:

The password for the pre-configured adm before the product can be used.
If the password for root is lost, the produ settings, by pressing the button located i user documentation for more information.

Create Self-Signed Certificate
Common name: * 10.92.25.211
Validity: 365 days
*The name of the entity to be certified, i.e. product.
OK
Once the certificate is created, this page wi configure the root password via HTTPS.

Configure Root Password using HTTPS
User name: root
Password:
Confirm password:
OK
The password for the pre-configured administrator root must be changed before the product can be used.
If the password for root is lost, the product must be reset to the factory default settings, by pressing the button located in the product's casing. Please see the user documentation for more information.

4. To log in, enter the user name "root" in the dialog as requested

Note:

The default administrator user name `root` cannot be deleted.

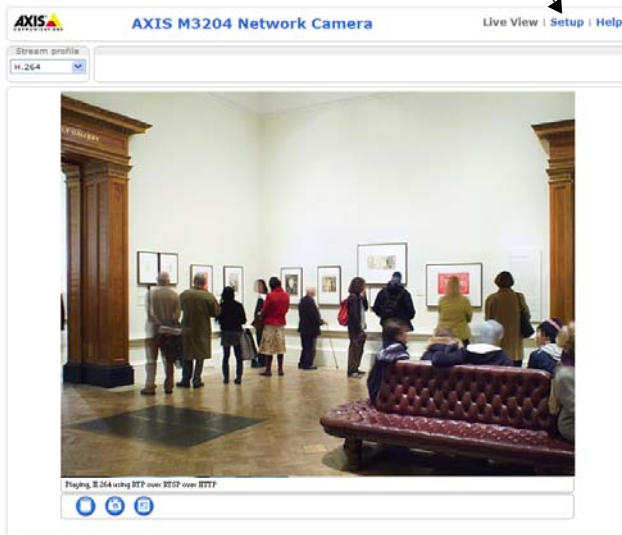
5. Enter the password as set above, and click **OK**.

Access the video stream

The Live View page of the AXIS M32 Series is displayed, with links to the Setup link menus, which allow you to customize the camera.

If required, click Yes to install AMC (AXIS Media Control), which allows viewing of the video stream in Internet Explorer. You will need administrator rights on the computer to do this.

Setup - Provides all the tools for configuring the camera to requirements.



Help - Displays online help on all aspects of using the camera.

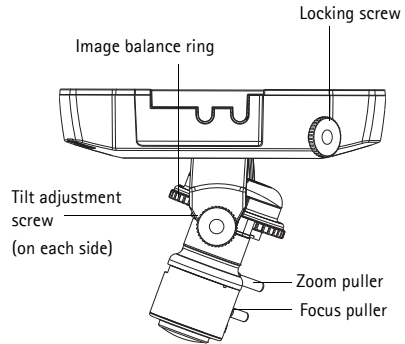
Notes:

- HTTPS (Hypertext Transfer Protocol over Secure Socket Layer) is a protocol used to encrypt the traffic between web browsers and servers. The HTTPS certificate controls the encrypted exchange of information.
- The default administrator user **root** cannot be deleted.
- If the password for **root** is lost or forgotten, the AXIS M32 Series must be reset to the factory default settings. See *Resetting to the Factory Default Settings*, on page 14.

6 Adjust the image and focus

Open the Live View page in the web interface and make the following adjustments to the camera:

1. Loosen the locking screw and tilt adjustment screws.
2. Turn the lens to the desired position.
3. Once satisfied, gently tighten the locking screw and tilt adjustment screws to secure the camera's position.
4. Turn the image balance ring to set the horizontal position.
5. To set the focus and zoom, loosen the zoom and focus pullers anti-clockwise and rotate the rings.
6. Lock the focus and zoom pullers in position by rotating the screws clockwise.



Note:

Due to the dome's refraction, the image may appear slightly out of focus once the dome has been placed. Focus on an object slightly closer than the intended area to compensate for this.

The image can also be fine-tuned for low light conditions.

Go to **Setup > Video > Camera Settings** in the camera's web interface and see the online help for more information.

7 Complete the installation

1. Rotate the black protective shield inside the dome casing to match the camera's position.
2. Clean the dome with a dry soft cloth to remove dust and finger prints and use a blower to remove dust from the lens.
3. Mount the dome casing using the supplied tamper-proof screws and screw driver.
4. Now that the dome is in place, double-check that the camera is properly focused.
5. The installation is now complete.

Other methods of setting the IP address

The table below shows the other methods available for setting or discovering the IP address. All methods are enabled by default, and all can be disabled.

	Use in operating system	Notes
AVHS Service Connection	All	To connect the camera to an AVHS server, refer to the server provider's Installation guide. For information and help to find a local AVHS Service Provider go to www.axis.com
AXIS Dynamic DNS Service	All	A free service from Axis that allows you to quickly and simply install your camera. Requires an Internet connection with no HTTP proxy. See www.axiscam.net for more information.
ARP/Ping	All	See below. The command must be issued within 2 minutes of connecting power to the camera.
UPnP™	Windows (ME or XP)	When enabled on your computer, the camera is automatically detected and added to "My Network Places."
Bonjour	MAC OSX (10.4 or later)	Applicable to browsers with support for Bonjour. Navigate to the Bonjour bookmark in your browser (e.g. Safari) and click on the link to access the camera's web pages.
DHCP	All	To view the admin pages for the network DHCP server, see the server's own documentation.

Set the IP address with ARP/Ping

1. Acquire an IP address on the same network segment your computer is connected to.
2. Locate the serial number (S/N) on the AXIS M32 Series label.
3. Open a command prompt on your computer and enter the following commands:

Windows syntax:	Windows example:
arp -s <IP Address> <Serial Number> ping -l 408 -t <IP Address>	arp -s 192.168.0.125 00-40-8c-18-10-00 ping -l 408 -t 192.168.0.125
UNIX/Linux/Mac syntax:	UNIX/Linux/Mac example:
arp -s <IP Address> <Serial Number> temp ping -s 408 <IP Address>	arp -s 192.168.0.125 00:40:8c:18:10:00 temp ping -s 408 192.168.0.125

4. Check that the network cable is connected to the camera and then start/restart the camera, by disconnecting and reconnecting power.
5. Close the command prompt when you see 'Reply from 192.168.0.125: ...' or similar.
6. In your browser, type in <http://<IP address>> in the Location/Address field and press Enter on your keyboard.

Notes:

- To open a command prompt in Windows: from the Start menu, select Run... and type cmd. Click OK.
- To use the ARP command on a Mac OS X, use the Terminal utility in Application > Utilities.

Resetting to the Factory Default Settings

This will reset all parameters, including the IP address, to the Factory Default settings:

1. Disconnect power from the camera.
2. Press and hold the Control button and reconnect power.
3. Keep the Control button pressed until the Power indicator flashes amber (this may take up to 15 seconds).
4. Release the Control button. When the Power indicator displays green (which can take up to 1 minute) the process is complete and the camera has been reset.
5. Re-assign the IP address, using one of the methods described in this document.

It is also possible to reset parameters to the original factory default settings via the web interface. For more information, please see the online help or the user's manual.

Accessing the camera from the Internet

Once installed, your AXIS M32 Series is accessible on your local network (LAN). To access the camera from the Internet, network routers must be configured to allow incoming traffic, which is usually done on a specific port

- HTTP port (default port 80) for viewing and configuration
- RTSP port (default port 554) for viewing H.264 video streams

Please refer to the documentation for your router for further instructions. For more information on this and other topics, visit the Axis Support Web at www.axis.com/techsup

Further information

The user's manual is available from the Axis Web site at www.axis.com or from the Axis Network Video Product CD supplied with this product.

Tip!

Visit www.axis.com/techsup to check if there is updated firmware available for your AXIS M32 Series Network Camera. To see the currently installed firmware version, see Setup > About.

Série AXIS M32 Guide d'installation

Ce guide d'installation explique comment installer la caméra réseau AXIS Série M32 sur votre réseau. Pour toute autre question concernant l'utilisation du produit, reportez-vous au Manuel de l'utilisateur que vous trouverez sur le CD joint ou sur le site www.axis.com/techsup

Procédure d'installation

1. Vérifiez le contenu de l'emballage par rapport à la liste ci-dessous.
2. Description du matériel. Cf. page 16.
3. Installation du matériel. Cf. page 18.
4. Attribution d'une adresse IP. Cf. page 19.
5. Configuration du mot de passe. Cf. page 22.
6. Réglage de la mise au point. Cf. page 24.
7. Fin de l'installation. Cf. page 24.

Important !

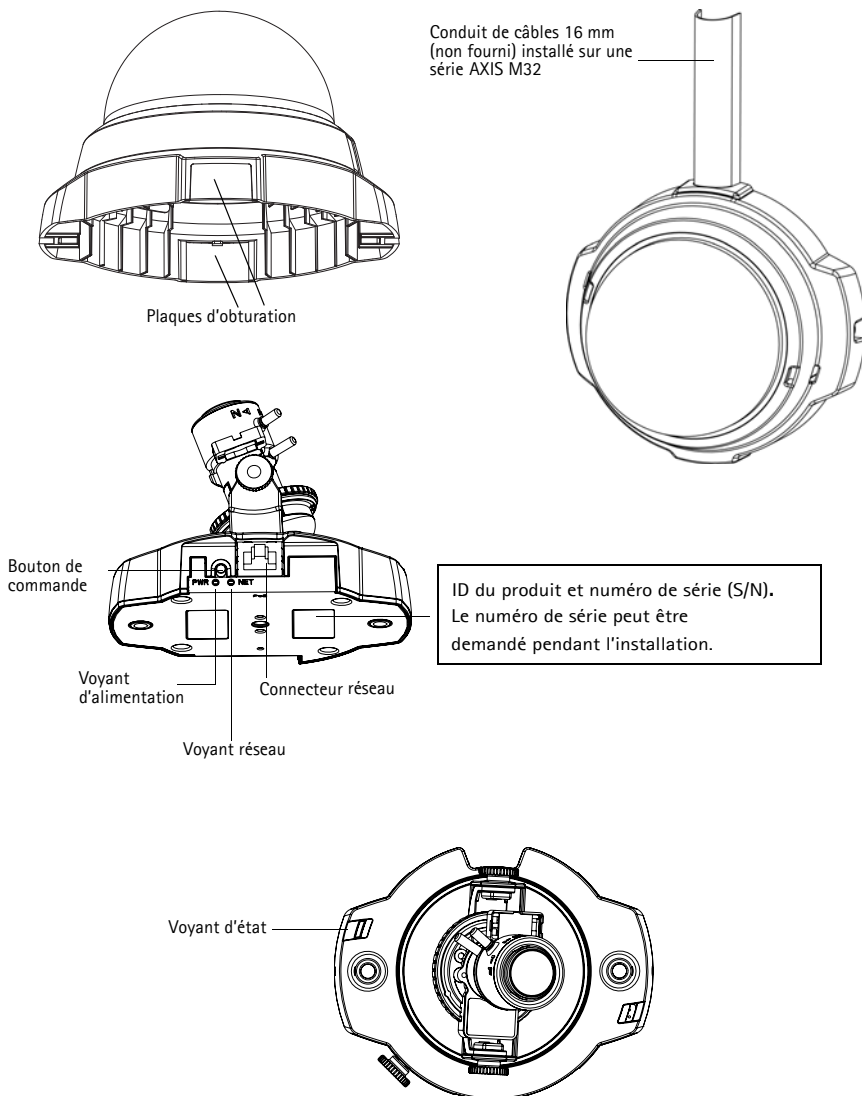
Ce produit doit être utilisé conformément aux lois et dispositions locales en vigueur.

FRANÇAIS

① Contenu de l'emballage

Élément	Modèles/variantes/remarques
Caméra réseau à dôme fixe	AXIS M3203 - Caméra réseau inviolable AXIS M3203-V - Caméra réseau résistant au vandalisme AXIS M3204 - Caméra réseau inviolable AXIS M3204-V - Caméra réseau résistant au vandalisme
Kit de montage	Tournevis pour vis inviolables 2 vis inviolables (M4x16 Resitorx) Gabarit de perçage
CD	CD du produit de vidéo sur IP AXIS comprenant la documentation, les outils d'installation et les autres logiciels
Documentation imprimée	Guide d'installation de la Série AXIS M32 (le présent document) Document de garantie d'Axis, clé d'authentification AVHS

2 Description du matériel



Dimensions

H x L x P = 94 x 144 x 132 mm (3.7" x 5.7" x 5.2")

AXIS M3203, AXIS M3204 : 425 g (0.94 lb)

AXIS M3203-V, AXIS M3204-V : 580 g (1.28 lb)

Voyants lumineux

Voyant	Couleur	Indication
Réseau	Vert	Continu en cas de connexion à un réseau de 100 Mbits/s. Clignote en cas d'activité réseau.
	Orange	Continu en cas de connexion à un réseau de 10 Mbits/s. Clignote en cas d'activité réseau.
	Éteint	Pas de connexion au réseau.
État	Vert	Vert continu en cas de fonctionnement normal. Remarque : le voyant d'état peut être configuré pour être éteint pendant le fonctionnement normal ou pour clignoter uniquement en cas d'accès à la caméra. Pour ce faire, cliquez sur Setup > System Options > LED (Configuration > Options système > DEL) . Reportez-vous à l'aide en ligne pour plus d'informations.
	Orange	Continu pendant le démarrage, la réinitialisation des paramètres d'usine par défaut ou la restauration des paramètres.
	Rouge	Clignote lentement en cas d'échec de la mise à niveau.
Alimentation	Vert	Fonctionnement normal.
	Orange	Clignote en vert/orange pendant la mise à niveau des micrologiciels.

3 Installation du matériel

! IMPORTANT ! - Il n'est pas recommandé d'utiliser le boîtier de l'AXIS M3203-V et de l'AXIS M3204-V à l'extérieur. Le produit doit être installé en intérieur uniquement.

Montage de la caméra

Les caméras réseau Série AXIS M32 peuvent être montées avec les câbles d'alimentation et réseau acheminés dans le mur/plafond, ou depuis le haut ou le bas. Vous disposez de plaques d'obturation pour les ouvertures des deux côtés du capot du dôme.

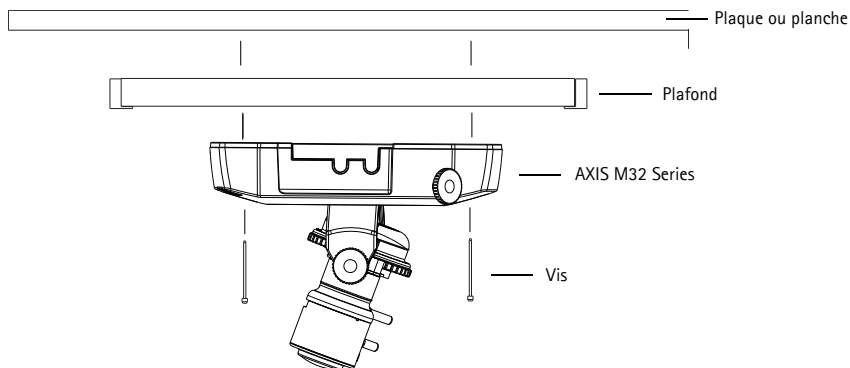
La caméra Série AXIS M32 peut être également dotée d'un conduit métallique pour protéger les câbles lors d'une connexion par les ouvertures latérales. Consultez les schémas de la page 16.

1. En vous servant du gabarit de perçage, percez deux trous dans le plafond/mur. Veillez à ce que la caméra soit positionnée de telle manière que les vis inviolables puissent être serrées à l'aide du tournevis fourni.
2. Acheminez les câbles nécessaires. Pour plus d'informations, consultez la section *Connexion au réseau*, sur page 19.
3. Fixez la caméra au plafond ou au mur à l'aide des vis et des chevilles appropriées.
4. Passez à la section *Connexion au réseau*, sur page 19.

Montage sur faux-plafond

Pour monter la caméra Série AXIS M32 sur un faux-plafond, vérifiez que le plafond est assez solide pour supporter le poids de la caméra.

La caméra peut être également fixée à l'aide d'une plaque ou d'une planche qui peut supporter le poids de la caméra et qui peut être plus adaptée pour la fixation des vis.



La caméra Série AXIS M32 peut être également montée à l'aide du kit de montage pour faux-plafond Série AXIS M32, qui permet un montage plus discret. Visitez www.axis.com pour découvrir les accessoires de montage disponibles.

Connexion au réseau

1. Connectez la caméra au réseau à l'aide d'un câble réseau blindé.
2. Vérifiez que les voyants lumineux indiquent les bonnes conditions. Pour plus d'informations, reportez-vous au tableau de la page 17. Notez que certains voyants peuvent être désactivés et donc éteints.

4 Attribution d'une adresse IP



Procédez comme suit pour définir une adresse IP ou reportez-vous à la page 25 pour d'autres méthodes de connexion de la Série AXIS M32 à Internet.

Attribution d'une adresse IP

Aujourd'hui, la plupart des réseaux sont équipés d'un serveur DHCP qui attribue automatiquement des adresses IP aux périphériques connectés. Si votre réseau en est dépourvu, votre Série AXIS M32 utilisera 192.168.0.90 comme adresse IP par défaut.

Si vous souhaitez paramétrer une adresse IP statique sous Windows, nous recommandons l'utilisation de l'application **AXIS IP Utility** ou de l'application **AXIS Camera Management**. Selon le nombre de caméras à installer, choisissez la méthode qui vous convient le mieux.

Ces deux applications gratuites sont disponibles sur le CD de la caméra vidéo sur IP Axis fourni avec ce produit. Vous pouvez également les télécharger à partir du site www.axis.com/techsup.

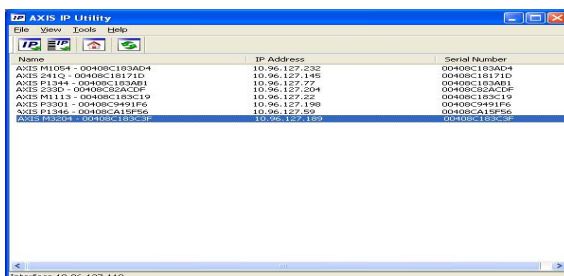
Méthode	Recommandée pour	Système d'exploitation
 AXIS IP Utility Voir page 20	Une seule caméra Petites installations	Windows
 AXIS Camera Management Voir page 21	Plusieurs caméras Grandes installations Installation sur un autre sous-réseau	Windows 2000 Windows XP Pro Windows 2003 Server Windows Vista Windows 7

Remarques :

- En cas d'échec de l'attribution d'adresse IP, vérifiez qu'aucun pare-feu ne bloque l'opération.
- Pour connaître les autres méthodes d'affectation ou de détection de l'adresse IP de votre Série AXIS M32, par exemple sous d'autres systèmes d'exploitation, reportez-vous à la page 25.

AXIS IP Utility : une seule caméra et une petite installation

AXIS IP Utility recherche et affiche automatiquement les périphériques Axis présents sur votre réseau. Cette application sert également à attribuer manuellement une adresse IP statique.




Notez que l'ordinateur exécutant l'application AXIS IP Utility doit se trouver sur le même segment de réseau (sous-réseau physique) que la Série AXIS M32.

Détection automatique

1. Vérifiez que la Série AXIS M32 est connectée au réseau et sous tension.
2. Lancez AXIS IP Utility.
3. Lorsque l'icône de la caméra apparaît dans la fenêtre, cliquez deux fois dessus pour ouvrir la page d'accueil correspondante.
4. Reportez-vous à la page 22 pour savoir comment configurer le mot de passe.

Attribution manuelle de l'adresse IP (facultatif)

1. Trouvez une adresse IP non utilisée sur le même segment de réseau que celui de votre ordinateur.
2. Sélectionnez la caméra réseau Série AXIS M32 dans la liste.
3. Cliquez sur le bouton  Assign new IP address to the selected device (Attribuer une nouvelle adresse IP au périphérique sélectionné) et saisissez l'adresse IP.
4. Cliquez sur le bouton Assign (Attribuer) et suivez les instructions affichées à l'écran. La caméra doit être redémarrée dans les 2 minutes pour que la nouvelle adresse IP soit prise en compte.
5. Cliquez sur le bouton Home Page (Page d'accueil) pour accéder aux pages Web de la caméra.
6. Reportez-vous à la page 22 pour savoir comment configurer le mot de passe.

Remarque :

AXIS M3203-V et AXIS M3204-V s'affichent dans AXIS IP Utility sous les noms AXIS M3203 et AXIS M3204.

Remarque :

AXIS M3203-V et AXIS M3204-V s'affichent dans AXIS Camera Management sous les noms AXIS M3203 et AXIS M3204.

5 Configuration du mot de passe

Pour accéder au produit, le mot de passe par défaut de l'administrateur root doit être configuré. Pour ce faire, utilisez la boîte de dialogue **Configure Root Password** (Configurer le mot de passe root) qui s'affiche lors du premier accès à la caméra réseau Série AXIS M32.

Pour éviter les écoutes électroniques lors de la configuration du mot de passe root, utilisez une connexion HTTPS cryptée nécessitant un certificat HTTPS (voir la remarque ci-dessous).

Pour configurer le mot passe avec une connexion HTTP standard, saisissez directement le mot de passe dans la première boîte de dialogue représentée ci-dessous.

Pour configurer le mot passe avec une connexion HTTPS cryptée, procédez comme suit :

1. Cliquez sur le bouton **Create self-signed certificate** (Créer un certificat autosigné).
2. Saisissez les informations demandées, puis cliquez sur **OK**. Le certificat est créé et le mot de passe peut maintenant être configuré en toute sécurité. L'ensemble du trafic entrant et sortant de la Série AXIS M32 est désormais crypté.
3. Saisissez un mot de passe, puis saisissez-le de nouveau pour confirmation. Cliquez sur **OK**. Le mot de passe est maintenant configuré.

Pour créer une connexion HTTPS, cliquez sur ce bouton.

Pour configurer directement le mot de passe par le biais d'une connexion cryptée, saisissez le mot de passe dans cette section.

4. Pour vous connecter, saisissez le nom d'utilisateur « root » dans la boîte de dialogue à l'invite.

Remarque :

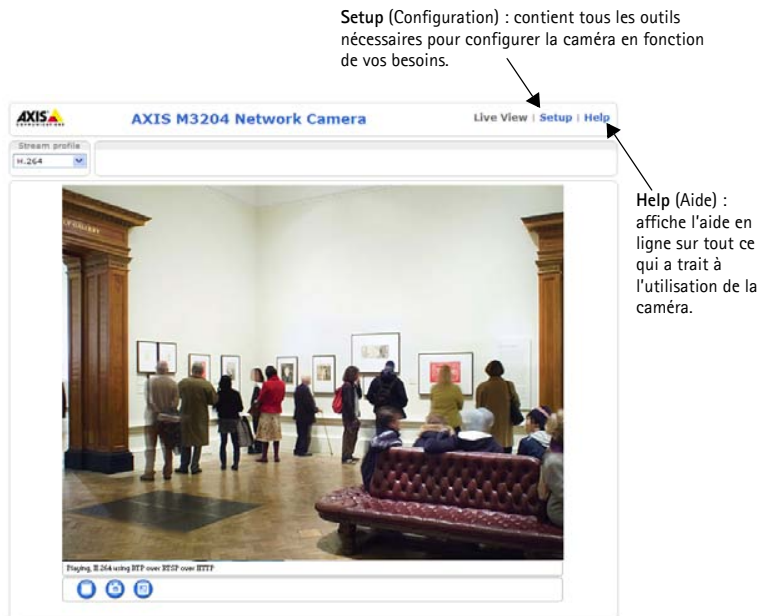
Le nom d'utilisateur par défaut de l'administrateur est root et il ne peut pas être supprimé.

5. Saisissez le mot de passe tel que vous venez de le configurer et cliquez sur OK.

Accès au flux de données vidéo

La page Live View (Vidéo en direct) de la caméra Série AXIS M32 s'affiche, indiquant les liens vers les menus de configuration pour adapter la caméra à vos besoins.

Si nécessaire, cliquez sur Yes (Oui) pour installer AMC (Axis Media Control) afin de pouvoir visualiser le flux vidéo dans Internet Explorer. Pour ce faire, vous devrez être connecté à l'ordinateur avec des droits d'administrateur.



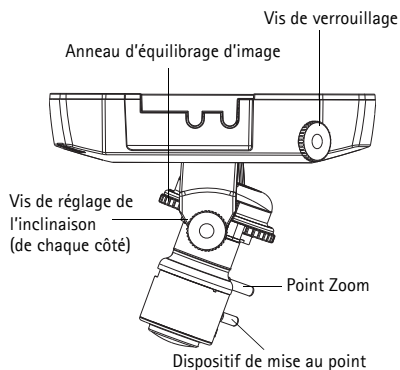
Remarques :

- Le protocole HTTPS (Hypertext Transfer Protocol over Secure Socket Layer) est utilisé pour crypter le trafic entre les navigateurs Web et les serveurs. Le certificat HTTPS contrôle l'échange crypté d'informations.
- Le nom d'utilisateur par défaut de l'administrateur root ne peut pas être supprimé.
- Si vous perdez ou oubliez le mot de passe root, les paramètres par défaut définis en usine de la caméra Série AXIS M32 devront être rétablis. Cf. *Rétablissement des paramètres d'usine par défaut*, sur page 26.

6 Réglage de l'image et de la mise au point

Ouvrez la page Live View (Vidéo en direct) dans l'interface Internet et effectuez les réglages suivants sur la caméra :

1. Desserrez la vis de verrouillage et les vis de réglage de l'inclinaison.
2. Tournez l'objectif dans la position souhaitée.
3. Une fois que vous avez terminé, serrez délicatement la vis de verrouillage et les vis de réglage de l'inclinaison pour bien fixer la caméra.
4. Tournez l'anneau d'équilibrage d'image pour définir la position horizontale.
5. Pour régler le zoom et la mise au point, desserrez les commandes correspondantes en tournant dans le sens inverse des aiguilles d'une montre, puis faites tourner les anneaux.
6. Verrouillez les commandes de zoom et de mise au point en serrant les vis dans le sens des aiguilles d'une montre.



Remarque :

Du fait de la réfraction du dôme, l'image peut apparaître légèrement floue une fois le dôme installé. Effectuez la mise au point sur un objet légèrement plus proche que la zone cible pour compenser ce défaut.

L'image peut également être ajustée en cas de faible éclairage.

Accédez à **Setup > Video > Camera Settings** (Configuration > Vidéo > Réglages caméra) dans l'interface Web de la caméra et consultez l'aide en ligne pour plus d'informations.

7 Fin de l'installation

1. Tournez l'écran protecteur noir à l'intérieur du boîtier du dôme, conformément à la position de la caméra.
2. Nettoyez le dôme avec un chiffon doux et sec pour enlever la poussière et les traces de doigt. Dépoussiérez l'objectif avec un ventilateur.
3. Montez le boîtier du dôme à l'aide des vis inviolables et du tournevis fournis.
4. Une fois le dôme en place, vérifiez une nouvelle fois que la mise au point est correctement réglée.
5. L'installation est terminée.

Autres méthodes de définition de l'adresse IP

Le tableau ci-dessous indique les autres méthodes permettant de configurer ou de déterminer l'adresse IP. Toutes les méthodes sont activées par défaut et peuvent être désactivées.

	Utilisation sous le système d'exploitation	Remarques
AVHS Service Connection	Tous	Pour connecter la caméra à un serveur AVHS, reportez-vous au Guide d'installation du four-nisseur. Pour obtenir des renseignements et trouver un fournisseur de service AVHS, consultez le site www.axis.com
AXIS Dynamic DNS Service	Tous	Service Axis gratuit permettant d'installer rapidement et facilement votre caméra. Nécessite une connexion Internet sans proxy HTTP. Pour plus d'informations, rendez-vous sur www.axiscam.net .
ARP/Ping	Tous	Voir ci-dessous. La commande doit être saisie dans les 2 minutes suivant la mise sous tension de la caméra.
UPnP™	Windows (ME ou XP)	Lorsque cette option est activée sur l'ordinateur, la caméra est automatiquement détectée et ajoutée au dossier Favoris réseau.
Bonjour	MAC OS X (10.4 ou version ultérieure)	Pour les navigateurs compatibles avec Bonjour. Accédez au signet de Bonjour dans votre navigateur (par exemple, Safari), puis cliquez sur le lien pour accéder aux pages Web de la caméra.
DHCP	Tous	Pour consulter les pages administratives du serveur DHCP réseau, reportez-vous à la documentation du serveur.

Définition de l'adresse IP à l'aide d'ARP/Ping

1. Trouvez une adresse IP sur le même segment de réseau que celui de votre ordinateur.
2. Repérez le numéro de série (S/N) sur l'étiquette de la Série AXIS M32.
3. Ouvrez une invite de commandes sur votre ordinateur et saisissez les commandes suivantes :

Syntaxe pour Windows :	Exemple pour Windows :
arp -s <Adresse IP> <Numéro de série> ping -l 408 -t <Adresse IP>	arp -s 192.168.0.125 00-40-8c-18-10-00 ping -l 408 -t 192.168.0.125
Syntaxe pour UNIX/Linux/Mac :	Exemple pour UNIX/Linux/Mac :
arp -s <Adresse IP> <Numéro de série> temp ping -s 408 <Adresse IP>	arp -s 192.168.0.125 00:40:8c:18:10:00 temp ping -s 408 192.168.0.125

4. Vérifiez que le câble réseau est connecté à la caméra, puis démarrez/redémarrez cette dernière en débranchant puis en rebranchant l'alimentation.
5. Fermez l'invite de commandes lorsque le message « Reply from 192.168.0.125:... » (Réponse de 192.168.0.125 : ...) ou un message similaire s'affiche.
6. Dans votre navigateur, saisissez <http://<Adresse IP>> dans le champ Emplacement/Adresse, puis appuyez sur la touche Entrée de votre clavier.

Remarques :

- Ouvrir une invite de commandes sous Windows : dans le menu Démarrer, sélectionnez Exécuter... et tapez cmd. Cliquez sur OK.
- Pour utiliser la commande ARP sous Mac OS X, utilisez l'utilitaire Terminal dans Application > Utilitaires.

Rétablissement des paramètres d'usine par défaut

Procédez comme suit pour rétablir tous les paramètres par défaut définis en usine, y compris l'adresse IP :

1. Débranchez l'alimentation de la caméra.
2. Maintenez le bouton de commande enfoncé et rebranchez l'alimentation.
3. Appuyez sur le bouton jusqu'à ce que le voyant d'alimentation passe à l'orange et clignote (cela peut prendre jusqu'à 15 secondes).
4. Relâchez le bouton de commande. Une lumière verte émise par le voyant d'alimentation (peut prendre 1 minute) indique que l'opération est terminée et que la caméra a été réinitialisée.
5. Attribuez à nouveau l'adresse IP à l'aide de l'une des méthodes décrites dans ce document.

Il est également possible de rétablir les paramètres d'usine par défaut d'origine à partir de l'interface Web. Pour obtenir plus d'informations, reportez-vous à l'aide en ligne ou au manuel d'utilisation.

Accès à la caméra sur Internet

Une fois installée, votre Série AXIS M32 est accessible sur votre réseau local (LAN). Pour accéder à la caméra sur Internet, les routeurs réseau doivent être configurés pour autoriser le trafic entrant, ce qui est généralement réalisé sur un port spécifique :

- Le port HTTP (port 80 par défaut) pour l'affichage et la configuration
- Le port RTSP (port 554 par défaut) pour l'affichage des flux de données vidéo H.264

Pour plus d'informations, consultez la documentation du routeur. Pour plus d'informations à ce sujet ou pour toute autre question, consultez la page d'assistance technique d'Axis à l'adresse www.axis.com/techsup.

Plus d'informations

Le manuel de l'utilisateur est disponible sur le site Web d'Axis (www.axis.com) ou sur le CD accompagnant votre caméra réseau Axis.

Conseil :

visitez le site www.axis.com/techsup pour vérifier si des micrologiciels mis à jour sont disponibles pour votre caméra réseau Série AXIS M32. Pour connaître la version du micrologiciel actuellement installée, reportez-vous à la page Setup > About (Configuration > À propos de).

AXIS M32 Serie Installationsanleitung

In dieser Anleitung wird die Installation der Netzwerk-Kameras der AXIS M32 Serie in einem Netzwerk beschrieben. Alle weiteren Hinweise zur Verwendung des Produkts finden Sie im Benutzerhandbuch, das auf der mitgelieferten CD sowie auf unserer Website unter „www.axis.com/techsup“ zur Verfügung steht.

Installationsschritte

1. Prüfen Sie, ob alle in der nachfolgenden Liste aufgeführten Komponenten vorhanden sind.
2. Sehen Sie sich die Hardwareübersicht an. Siehe Seite 28.
3. Installieren Sie die Hardware. Siehe Seite 30.
4. Weisen Sie eine IP-Adresse zu. Siehe Seite 31.
5. Legen Sie das Kennwort fest. Siehe Seite 34.
6. Stellen Sie die Bildschärfe ein. Siehe Seite 36.
7. Schließen Sie die Installation ab. Siehe Seite 36.

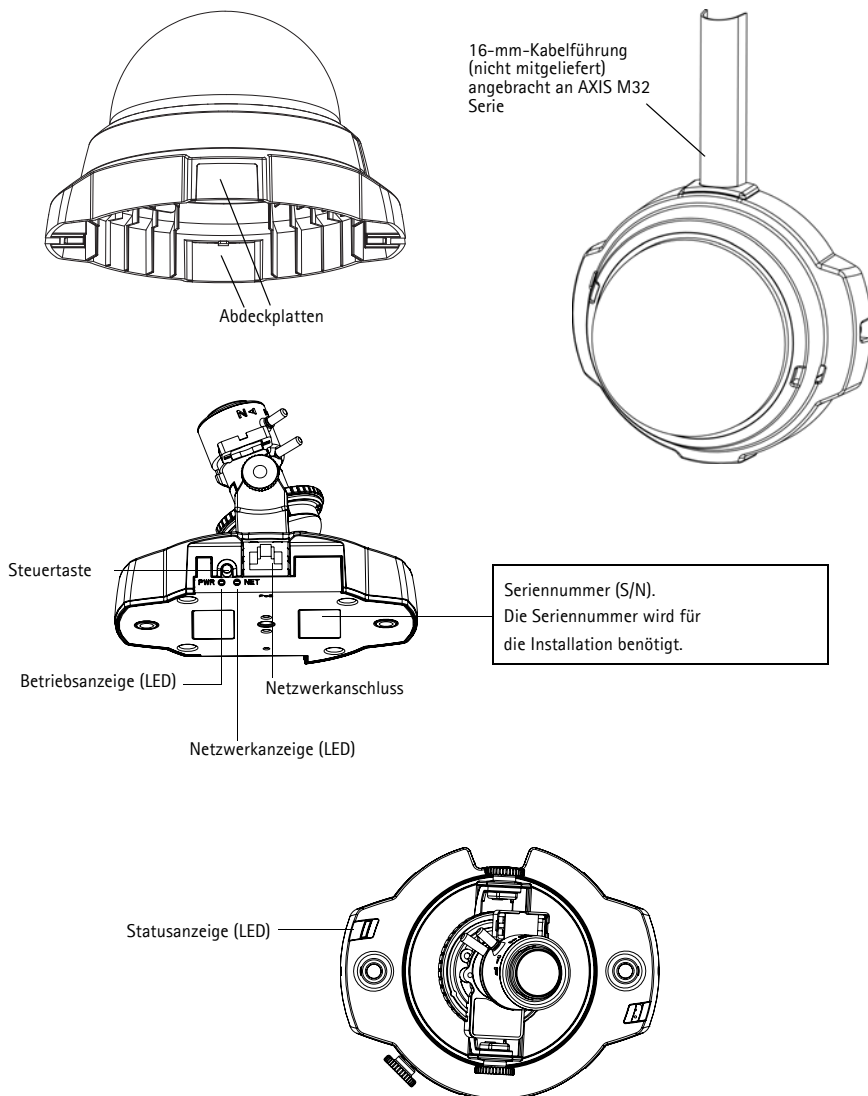
Wichtig!

Verwenden Sie dieses Produkt unter Beachtung der geltenden rechtlichen Bestimmungen.

1 Lieferumfang

Komponente	Modelle/Varianten/Anmerkungen
Netzwerk Kamera	AXIS M3203 – Manipulationsgeschützte Netzwerk Kamera AXIS M3203-V – Vandalismusgeschützte Netzwerk Kamera AXIS M3204 – Manipulationsgeschützte Netzwerk Kamera AXIS M3204-V – Vandalismusgeschützte Netzwerk Kamera
Montagesatz	Schraubendreher für manipulationssichere Schrauben zwei manipulationssichere Schrauben (M4x16 Resitorx) Bohrschablone
CD-ROM	CD für AXIS-Netzwerkvideoprodukte einschließlich Produktdokumentation, Installationswerkzeugen und anderer Software
Gedruckte Dokumente	Installationsanleitung für die AXIS M32 Serie (dieses Dokument) Axis-Garantieerklärung, AVHS-Authentifizierungsschlüssel

2 Hardwareübersicht



Abmessungen

H × B × T = 94 × 144 × 132 mm (3.7" × 5.7" × 5.2")

AXIS M3203, AXIS M3204: 425 g (0.94 lb)

AXIS M3203-V, AXIS M3204-V: 580 g (1.28 lb)

LED-Anzeigen

LED	Farbe	Bedeutung
Netzwerk	Grün	Leuchtet dauerhaft bei Verbindung mit einem 100-MBit/s-Netzwerk. Blinkt bei Netzwerkaktivität.
	Gelb	Leuchtet dauerhaft bei Verbindung mit einem 10-MBit/s-Netzwerk. Blinkt bei Netzwerkaktivität.
	Leuchtet nicht	Keine Netzwerkverbindung vorhanden.
Status	Grün	Leuchtet bei Normalbetrieb konstant grün. Hinweis: Die Status-LED kann so konfiguriert werden, dass sie bei normalem Betrieb nicht leuchtet oder nur dann blinkt, wenn auf die Kamera zugegriffen wird. Diese Konfiguration können Sie unter Setup > System Options > LED (Setup > Systemoptionen > LED) vornehmen. Weitere Informationen hierzu finden Sie in der Online-Hilfe.
	Gelb	Leuchtet konstant beim Einschalten und beim Wiederherstellen der Werkseinstellungen bzw. von vorherigen Einstellungen.
	Rot	Blinkt langsam bei Aktualisierungsfehler.
Stromversorgung	Grün	Normaler Betrieb.
	Gelb	Blinkt grün/gelb während Firmware-Aktualisierung.

3 Installation der Hardware

- !** WICHTIG! – Das Gehäuse der AXIS M3203-V und AXIS M3204-V ist nicht für den Einsatz im Außenbereich geeignet. Diese Kameramodelle dürfen nur in Innenräumen installiert werden.

Montieren der Kamera

Für die Montage der Netzwerk-Kameras der AXIS M32 Serie können die Kabel durch die Wand/Decke oder von oben bzw. unten verlegt werden. Für die Öffnungen auf beiden Seiten der Kuppelhaube sind Abdeckplatten vorhanden.

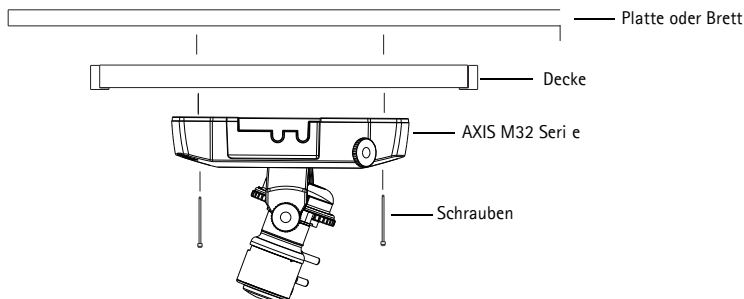
Die AXIS M32 Serie kann auch mit einer Kabelführung aus Metall ausgestattet werden, um die Verkabelung zu schützen, wenn der Anschluss über die seitlichen Öffnungen erfolgt. Siehe Abbildungen auf Seite 28.

1. Bohren Sie mithilfe der Bohrschablone zwei Löcher in die Decke bzw. Wand. Die Kamera muss so platziert werden, dass die manipulationssicheren Schrauben mit dem mitgelieferten Schraubendreher festgezogen werden können.
2. Ziehen Sie die erforderlichen Kabel. Weitere Informationen finden Sie unter *Verbindung mit dem Netzwerk*, auf Seite 31.
3. Schrauben Sie die Kameraeinheit an der Decke bzw. Wand fest. Verwenden Sie dazu die Schrauben und Dübel, die für das Material der Decke bzw. der Wand geeignet sind.
4. Fahren Sie mit *Verbindung mit dem Netzwerk*, auf Seite 31 fort.

Hängedeckenmontage

Wenn die Kamera der AXIS M32 Serie an einer Hängedecke befestigt werden soll, müssen Sie überprüfen, ob das Deckenmaterial stabil genug ist, um das Gewicht der Kamera zu tragen.

Die Kamera kann auch unter Verwendung einer Platte oder einem Brett befestigt werden. Das bietet eine bessere Tragfähigkeit und erleichtert das Befestigen der Schrauben.



Die AXIS M32 Serie kann auch unter Verwendung des AXIS M32 Serie-Montagesatzes für Hängedecken befestigt werden, um sie unauffälliger anzubringen. Mehr Information zum gesamten Befestigungszubehör finden Sie unter www.axis.com.

Verbindung mit dem Netzwerk

1. Verbinden Sie die Kamera über ein abgeschirmtes Netzkabel mit dem Netzwerk.
2. Überprüfen Sie, ob die LED-Anzeigen die Betriebszustände korrekt angeben. Weitere Informationen hierzu finden Sie in der Tabelle auf Seite 29. Beachten Sie, dass LEDs deaktiviert sein können und deshalb nicht leuchten.

4 Zuweisen einer IP-Adresse



Führen Sie die folgenden Schritte aus, um eine IP-Adresse zuzuweisen. Auf Seite 37 werden alternative Methoden zur Verbindung der AXIS M32 Serie mit dem Internet beschrieben.

Zuweisen einer IP-Adresse

In den meisten Netzwerken ist heutzutage ein DHCP-Server eingebunden, der angeschlossenen Geräten automatisch IP-Adressen zuweist. Wenn Ihr Netzwerk über keinen DHCP-Server verfügt, wird für die AXIS M32 Serie die Standard-IP-Adresse 192.168.0.90 verwendet.

Zum Zuweisen einer statischen IP-Adresse stehen unter Windows die Programme **AXIS IP Utility** und **AXIS Camera Management** zur Verfügung. Verwenden Sie die Methode, die für die gewünschte Anzahl der zu installierenden Kameras geeignet ist.

Beide Anwendungen stehen kostenlos auf der mitgelieferten CD für Axis-Netzwerkvideoprodukte zur Verfügung oder können unter „www.axis.com/techsup“ heruntergeladen werden.

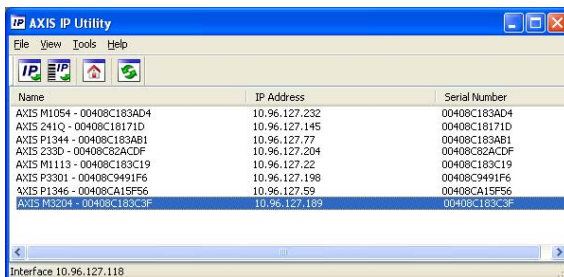
Methode	Empfohlen für	Betriebssystem
 AXIS IP Utility Siehe Seite 32	Einzelne Kamera Kleine Installationen	Windows
 AXIS Camera Management Siehe Seite 33	Mehrere Kameras Große Installationen Installation in einem anderen Subnetz	Windows 2000 Windows XP Pro Windows 2003 Server Windows Vista Windows 7

Hinweise:

- Falls Sie die IP-Adresse nicht zuweisen können, müssen ggf. die Einstellungen der Firewall überprüft werden.
- Weitere Informationen über alternative Methoden zum Festlegen bzw. Ermitteln der IP-Adresse der AXIS M32 Serie (z. B. bei anderen Betriebssystemen) finden Sie auf Seite 37.

AXIS IP Utility – einzelne Kamera/kleine Installation

AXIS IP Utility erkennt automatisch die im Netzwerk vorhandenen Axis-Geräte und zeigt diese an. Die Anwendung kann außerdem zur manuellen Zuweisung einer statischen IP-Adresse verwendet werden.




Beachten Sie, dass sich die Kamera der AXIS M32 Serie und der Computer, auf dem AXIS IP Utility ausgeführt wird, im gleichen Netzwerksegment (d. h. physischen Subnetz) befinden müssen.

Automatische Erkennung

1. Stellen Sie sicher, dass die AXIS M32 Serie an das Netzwerk und die Stromversorgung angeschlossen ist.
2. Starten Sie AXIS IP Utility.
3. Doppelklicken Sie auf das Symbol der Kamera, um die entsprechende Startseite zu öffnen.
4. Anweisungen zum Festlegen des Kennworts finden Sie auf Seite 34.

Manuelle Zuweisung der IP-Adresse (optional)

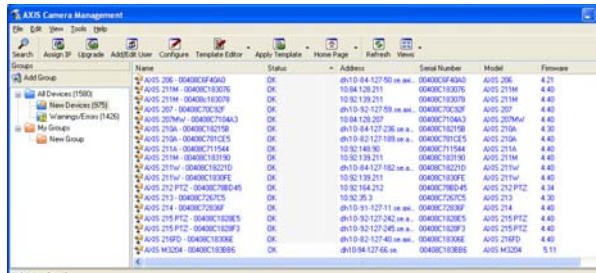
1. Wählen Sie eine nicht zugewiesene IP-Adresse im selben Netzwerksegment, in dem sich Ihr Computer befindet.
2. Wählen Sie die gewünschte Netzwerk-Kamera der AXIS M32 Serie in der Liste aus.
3. Klicken Sie auf die Schaltfläche  Assign new IP address to the selected device (Zuweisung einer neuen IP-Adresse an das ausgewählte Gerät) und geben Sie die IP Adresse ein.
4. Klicken Sie auf die Schaltfläche Assign (Zuweisen) und befolgen Sie die Anweisungen auf dem Bildschirm. Beachten Sie, dass die Kamera innerhalb von 2 Minuten neu gestartet werden muss, um die neue IP-Adresse festzulegen.
5. Klicken Sie auf die Schaltfläche Home Page (Startseite), um auf die Webseiten der Kamera zuzugreifen.
6. Anweisungen zum Festlegen des Kennworts finden Sie auf Seite 34.

Hinweis:

Die Kameramodelle AXIS M3203-V und AXIS M3204-V werden in AXIS IP Utility als AXIS M3203 und AXIS M3204 angezeigt.

AXIS Camera Management – mehrere Kameras/große Installationen

Mit AXIS Camera Management können automatisch mehrere Axis-Geräte erkannt, der Verbindungsstatus angezeigt, die Firmware-Aktualisierungen verwaltet und IP-Adressen festgelegt werden.



Automatische Erkennung

1. Stellen Sie sicher, dass die Kamera an das Netzwerk und die Stromversorgung angeschlossen ist.
2. Starten Sie AXIS Camera Management. Doppelklicken Sie auf das Symbol der Netzwerk-Kamera der AXIS M32 Serie, um die Startseite der Kamera zu öffnen.
3. Anweisungen zum Festlegen des Kennworts finden Sie auf Seite 34.

Zuweisen einer IP-Adresse für ein einzelnes Gerät

1. Wählen Sie in AXIS Camera Management die Netzwerk-Kamera der AXIS M32 Serie aus- und klicken Sie auf die Schaltfläche Assign IP (IP-Adresse zuweisen).
2. Wählen Sie die Option Assign the following IP address (Folgende IP-Adresse zuweisen) und geben Sie die IP-Adresse, die Subnetzmaske und den Standardrouter für das Gerät ein.
3. Klicken Sie auf OK.

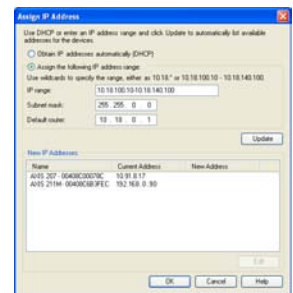


DEUTSCH

Zuweisen von IP-Adressen für mehrere Geräte

AXIS Camera Management beschleunigt die Zuweisung von IP-Adressen an mehrere Geräte, indem IP-Adressen aus einem angegebenen Bereich vorgeschlagen werden.

1. Wählen Sie die zu konfigurierenden Geräte aus (es können auch unterschiedliche Modelle gewählt werden) und klicken Sie auf die Schaltfläche Assign IP (IP-Adresse zuweisen).
2. Wählen Sie die Option Assign the following IP address range (Folgendes IP-Adressbereich zuweisen) und geben Sie den IP-Adressbereich, die Subnetzmaske und den Standardrouter für die Geräte ein.
3. Klicken Sie auf OK.



Hinweis:

Die Kameramodelle AXIS M3203-V und AXIS M3204-V werden in AXIS Camera Management als AXIS M3203 und AXIS M3204 angezeigt.

5 Festlegen des Kennworts

Für den Zugriff auf das Produkt muss das Kennwort für den standardmäßigen Administrator-Benutzer **root** festgelegt werden. Beim erstmaligen Zugriff auf die Netzwerk-Kamera der AXIS M32 Serie wird das Dialogfeld 'Configure Root Password' (Root-Kennwort konfigurieren) angezeigt. Dort kann das Kennwort festgelegt werden.

Um ein Abhören der Datenkommunikation während der Festlegung des Root-Kennworts zu vermeiden, können Sie diesen Vorgang über eine verschlüsselte HTTPS-Verbindung durchführen, die ein HTTPS-Zertifikat erfordert (siehe folgenden Hinweis).

Zum Festlegen des Kennworts über eine standardmäßige HTTP-Verbindung geben Sie es direkt in das erste unten abgebildete Dialogfeld ein.

Um das Kennwort über eine verschlüsselte HTTPS-Verbindung festzulegen, führen Sie die folgenden Schritte aus:

1. Klicken Sie auf die Schaltfläche **Create self-signed certificate** (Selbstsigniertes Zertifikat erstellen).
2. Geben Sie die angeforderten Informationen ein und klicken Sie auf **OK**. Das Zertifikat wird erstellt, und das Kennwort kann jetzt sicher festgelegt werden. Der gesamte Datenverkehr der Kamera der AXIS M32 Serie wird ab diesem Zeitpunkt verschlüsselt.
3. Geben Sie ein Kennwort ein, und wiederholen Sie die Eingabe, um die korrekte Schreibweise zu bestätigen. Klicken Sie auf **OK**. Damit ist das Kennwort konfiguriert.

Klicken Sie zum Herstellen einer HTTPS-Verbindung zunächst auf diese Schaltfläche.

Um das Kennwort direkt über eine unverschlüsselte Verbindung zu konfigurieren, geben Sie es hier ein.

4. Geben Sie in das Anmeldungsdialogfeld den Benutzernamen „root“ wie erforderlich ein.

Hinweis:

Der standardmäßige Administrator-Benutzername „root“ kann nicht gelöscht werden.

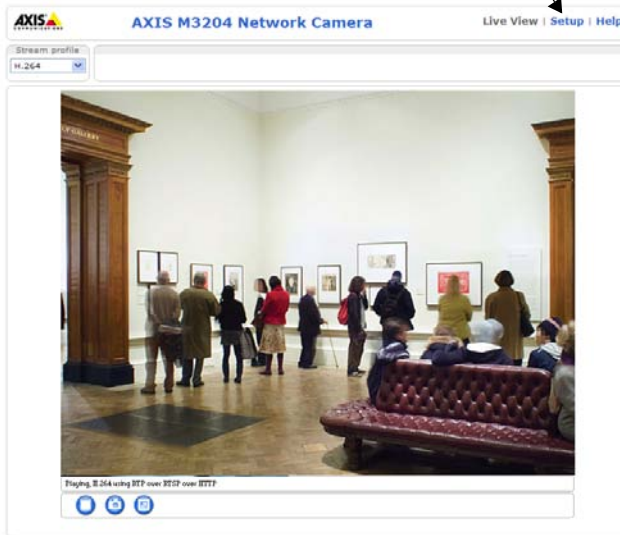
5. Geben Sie das zuvor festgelegte Kennwort ein und klicken Sie auf „OK“.

Zugriff auf den Videostrom

Die Seite Live-View (Live-Ansicht) der AXIS M32 Serie wird geöffnet. Sie enthält Links zu Setup-Menüs, mit denen Sie die Kamera an Ihre Bedürfnisse anpassen können.

Klicken Sie auf Yes (Ja), um AMC (AXIS Media Control) zu installieren. Nach Abschluss der Installation können Sie Videoströme in Microsoft Internet Explorer anzeigen. Hierzu müssen Sie über Administratorrechte für den Computer verfügen.

Setup: Alle zur benutzerspezifischen Konfiguration der Kamera notwendigen Werkzeuge.



Hilfe: Zum Aufrufen der Online-Hilfe für die Kamera.

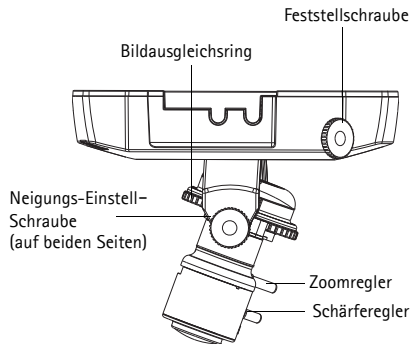
Hinweise:

- Das Protokoll HTTPS (Hypertext Transfer Protocol over Secure Socket Layer) wird verwendet, um den Datenverkehr zwischen Webbrowsern und Servern zu verschlüsseln. Das HTTPS-Zertifikat steuert den verschlüsselten Informationsaustausch.
- Der standardmäßige Administrator-Benutzer *root* kann nicht gelöscht werden.
- Wenn Sie das Kennwort für *root* vergessen haben, muss die AXIS M32 Serie auf die Werkseinstellungen zurückgesetzt werden. Siehe *Wiederherstellen der werkseitigen Standardeinstellungen*, auf Seite 39.

6 Bildschärfe einstellen

Öffnen Sie die Seite **Live View** (Live-Ansicht) und nehmen Sie folgende Einstellung an der Kamera vor:

1. Lösen Sie die Feststellschraube und die Einstellschrauben für die Neigung.
2. Drehen Sie das Objektiv in die gewünschte Position.
3. Wenn die richtige Ausrichtung erreicht ist, schrauben Sie die Feststellschraube und die Einstellschrauben für die Neigung vorsichtig wieder fest, um die Kameraposition zu sichern.
4. Stellen Sie mit dem Ring zum Bildausgleich die horizontale Ausrichtung ein.
5. Lösen Sie für die Einstellung der Bildschärfe und des Zooms die Regler für Zoom und Fokus entgegen dem Uhrzeigersinn und drehen Sie die Ringe.
6. Arretieren Sie Zoomregler und Schärferegler in der gewählten Position. Ziehen Sie dazu die Schrauben im Uhrzeigersinn fest.



Hinweis:

Aufgrund der Lichtbrechungen auf der Glasoberfläche kann das Bild leicht unscharf erscheinen, nachdem die Kuppel installiert wurde. Um diesen Effekt auszugleichen, stellen Sie die Kamera auf ein Objekt scharf, das etwas näher als der zu erfassende Bereich liegt.

Sie können auch eine Feinabstimmung des Bildes für schlechte Lichtverhältnisse vornehmen. Weitere Informationen hierzu finden Sie in der Online-Hilfe unter **Setup > Video > Camera Settings** (Setup > Video > Kameraeinstellungen) in der Weboberfläche der Kamera.

7 Installation abschließen

1. Bringen Sie das schwarze Schutzschild in der Kuppelhaube durch Drehen in Übereinstimmung mit der Kameraposition.
2. Entfernen Sie Fingerabdrücke und Staub mit einem trockenen, weichen Tuch von der Glasoberfläche. Blasen Sie Staub ggf. mit Druckluft von der Linse.
3. Befestigen Sie die Kuppelhaube mit Hilfe der im Lieferumfang enthaltenen manipulationssicheren Schrauben und des Schraubendrehers.
4. Wenn die Kamera angebracht ist, vergewissern Sie sich sorgfältig, dass die Schärfe richtig eingestellt ist.
5. Die Installation ist damit abgeschlossen.

Andere Methoden zum Festlegen der IP-Adresse

Diese Tabelle bietet einen Überblick über weitere Methoden, die IP-Adresse festzulegen bzw. zu ermitteln. Alle Methoden sind standardmäßig aktiviert und können deaktiviert werden.

	Verwendung im Betriebssystem	Hinweise
Verbindung zum AVHS-Service	Alle	Informationen zur Verbindung der Kamera mit einem AVHS-Server finden Sie in der Installationsanleitung des AVHS-Diensteanbieters.- Informationen zu lokalen AVHS-Diensteanbietern finden Sie unter „www.axis.com“.
AXIS Dynamic DNS Service	Alle	Ein kostenloser Service von Axis, mit dem Sie Ihre Kamera schnell und einfach installieren können. Eine Internetverbindung ohne HTTP-Proxyserver ist Voraussetzung. Weitere Informationen hierzu finden Sie auf „www.axiscam.net“.
ARP/Ping	Alle	Siehe unten. Der Befehl muss innerhalb von 2 Minuten erfolgen, nachdem die Kamera an das Stromnetz angeschlossen wurde.
UPnP™	Windows (ME oder XP)	Wenn die Funktion auf dem Computer aktiviert ist, wird die Kamera automatisch erkannt und zu „Netzwerkumgebung“ hinzugefügt.
Bonjour	MAC OSX (10.4 oder höher)	Kann nur bei Browsern verwendet werden, die Bonjour unterstützen. Navigieren Sie zum Bonjour-Lesezeichen Ihres Browsers (z. B. Safari) und klicken Sie auf den Link, um auf die Webseiten der Kamera zu gelangen.
DHCP	Alle	Hinweise zum Anzeigen der Administrationsseiten des DHCP-Servers im Netzwerk finden Sie in der Serverdokumentation.

Zuweisen der IP-Adresse per ARP/Ping

1. Wählen Sie eine IP-Adresse aus dem Netzwerksegment, in dem sich auch Ihr Computer befindet.
2. Suchen Sie nach der Seriennummer (S/N) auf dem Produktaufkleber der Kamera der AXIS M32 Serie.
3. Öffnen Sie auf Ihrem Computer die Eingabeaufforderung und geben Sie die folgenden Befehle ein:

Windows-Syntax:	Beispiel für Windows:
arp -s <IP-Adresse> <Seriennummer> ping -l 408 -t <IP-Adresse>	arp -s 192.168.0.125 00-40-8c-18-10-00 ping -l 408 -t 192.168.0.125
Syntax unter UNIX/Linux/Mac:	Beispiel für UNIX/Linux/Mac:
arp -s <IP-Adresse> <Seriennummer> temp ping -s 408 <IP-Adresse>	arp -s 192.168.0.125 00:40:8c:18:10:00 temp ping -s 408 192.168.0.125

4. Stellen Sie sicher, dass das Netzkabel mit der Kamera verbunden ist und starten Sie die Kamera bzw. starten Sie diese neu, indem Sie die Stromversorgung unterbrechen und wiederherstellen.
5. Schließen Sie die Befehlszeile, sobald „Reply from 192.168.0.125:“ oder eine ähnliche Meldung erscheint.
6. Starten Sie einen Browser, geben Sie im Adressfeld „http://<IP-Adresse>“ ein und drücken Sie die Eingabetaste auf der Tastatur.

Hinweise:

- So öffnen Sie die Eingabeaufforderung unter Windows: Wählen Sie im Startmenü die Option „Ausführen...“ aus und geben Sie „cmd“ ein. Klicken Sie auf OK.
- Verwenden Sie zum Eingeben des Befehls „ARP“ unter Mac OS X das Dienstprogramm „Terminal“, das Sie unter „Anwendung > Dienstprogramme“ finden.

Wiederherstellen der werkseitigen Standardeinstellungen

Gehen Sie wie folgt vor, um sämtliche Parameter einschließlich der IP-Adresse auf die werkseitigen Standardeinstellungen zurückzusetzen:

1. Trennen Sie die Kamera von der Stromversorgung.
2. Halten Sie die Steuertaste gedrückt und schließen Sie den Netzstecker wieder an.
3. Halten Sie die Steuertaste so lange gedrückt, bis die Betriebsanzeige gelb blinkt (dies kann bis zu 15 Sekunden dauern).
4. Lassen Sie die Steuertaste los. Sobald die Betriebsanzeige grün leuchtet (dies kann bis zu 1 Minute dauern), ist die Kamera auf die werkseitigen Standardeinstellungen zurückgesetzt.
5. Legen Sie die IP-Adresse erneut fest. Wenden Sie dabei eines der in diesem Handbuch beschriebenen Verfahren an.

Die Parameter können auch über die Weboberfläche auf die werkseitigen Einstellungen zurückgesetzt werden. Weitere Informationen dazu finden Sie in der Online-Hilfe und im Benutzerhandbuch.

Zugriff auf die Kamera über das Internet

Nach der Installation können Sie über Ihr lokales Netzwerk (LAN) auf die AXIS M32 Serie zugreifen. Um auch über das Internet auf die Kamera zugreifen zu können, müssen Sie die Netzwerk-Router so konfigurieren, dass diese den eingehenden Datenverkehr zulassen, was üblicherweise durch Zuweisung eines bestimmten Ports geschieht.

- HTTP-Port (standardmäßig Port 80) für die Anzeige und Konfiguration
- RTSP-Port (standardmäßig Port 554) für die Anzeige von H.264-Videostreamen

Ausführliche Informationen zu diesem Thema finden Sie in der Dokumentation des Routers. Weitere Informationen zu diesem und zu anderen Themen erhalten Sie auf der Axis Support-Website unter „www.axis.com/techsup“.

Weitere Informationen

Das Benutzerhandbuch ist auf der Axis Website unter „<http://www.axis.com>“ erhältlich und befindet sich auch auf der mitgelieferten CD für Axis-Netzwerkvideoprodukte.

Tipp!

Unter „www.axis.com/techsup“ finden Sie Firmware-Aktualisierungen für Ihre Netzwerk-Kamera der AXIS M32 Serie. Informationen zur aktuellen Firmware-Version finden Sie unter Setup > Info.

Serie AXIS M32 Guida all'installazione

Questo documento fornisce le istruzioni necessarie per installare le Telecamere Serie AXIS M32 nella rete in uso. Per ulteriori informazioni sull'utilizzo del prodotto, consultare la Guida per l'utente disponibile sul CD incluso nella confezione oppure visitare il sito web all'indirizzo www.axis.com/techsup.

Procedura di installazione

1. Controllare il contenuto della confezione utilizzando l'elenco fornito di seguito.
2. Panoramica dell'hardware. Vedere a pagina 42.
3. Installazione dell'hardware. Vedere a pagina 44.
4. Assegnazione di un indirizzo IP. Vedere a pagina 45.
5. Impostazione della password. Vedere a pagina 48.
6. Regolazione della messa a fuoco. Vedere a pagina 50.
7. Completamento dell'installazione. Vedere a pagina 50.

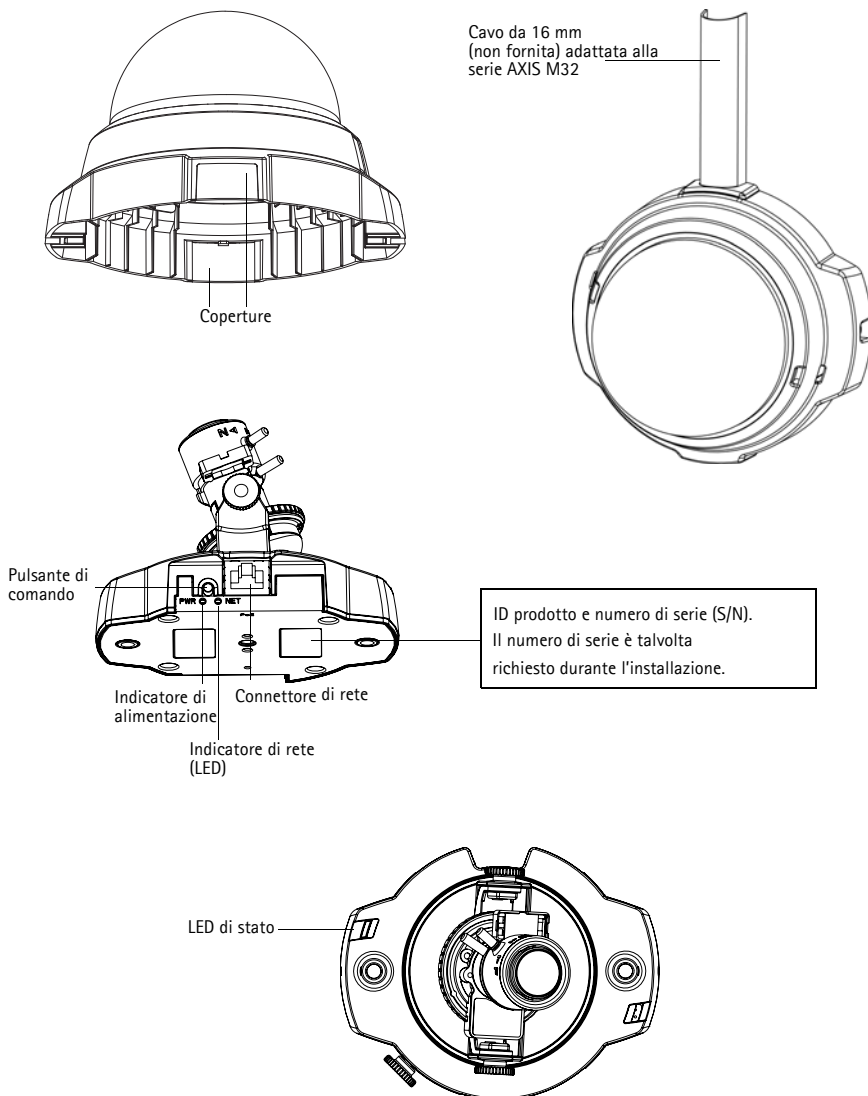
Importante!

Il prodotto deve essere utilizzato in conformità alle leggi e alle regolamentazioni locali.

1 Contenuto della confezione

Articolo	Modelli/varianti/note
Telecamera di rete a cupola fissa	AXIS M3203 - Telecamera di rete resistente alle manomissioni AXIS M3203-V - Telecamera di rete resistente agli atti vandalici AXIS M3204 - Telecamera di rete resistente alle manomissioni AXIS M3204-V - Telecamera di rete resistente agli atti vandalici
Kit di montaggio	Cacciavite per viti antimanomissione 2 viti antimanomissione (M4x16 Resitorx) Sagoma per la foratura
CD	CD di AXIS Network Video Product, comprensivo della documentazione del prodotto, utensili di installazione ed altro software
Documentazione cartacea	Guida all'installazione della telecamera Serie AXIS M32 (questo documento) Certificato di garanzia Axis, chiave di autenticazione AVHS

2 Panoramica dell'hardware



Dimensioni

A x L x P = 94 x 144 x 132 mm (3.7" x 5.7" x 5.2")

AXIS M3203, AXIS M3204: 425 g (0,94 lb)

AXIS M3203-V, AXIS M3204-V: 580 g (1.28 lb)

Indicatori LED

Indicator e LED	Colore	Indicazione
Rete	Verde	Luce fissa: connessione di rete a 100 Mbit/s. Luce lampeggiante: attività di rete.
	Giallo	Luce fissa: connessione di rete a 10 Mbit/s. Luce lampeggiante: attività di rete.
	Spento	Assenza di connessione.
Stato	Verde	Luce verde fissa: condizioni di normale utilizzo. Nota è possibile configurare il LED di stato in modo che rimanga spento in condizioni di normale utilizzo oppure in modo da ottenere una luce intermittente quando si effettua l'accesso alla telecamera. Per configurarlo, selezionare Setup (Configurazione) > System Options (Opzioni di sistema) > LED . Per ulteriori informazioni, consultare la Guida in linea.
	Giallo	Luce fissa: durante l'avvio o il ripristino delle impostazioni predefinite o della configurazione.
	Rosso	Luce lampeggiante lenta: aggiornamento non riuscito.
Alimentazione	Verde	Normale utilizzo.
	Giallo	Luce lampeggiante verde/gialla: aggiornamento firmware.

3 Installazione dell'hardware

- !** **IMPORTANTE!** - L'alloggiamento dei modelli AXIS M3203-V e AXIS M3204-V non è approvato per l'utilizzo in ambienti esterni. I prodotti possono essere installati soltanto in ambienti interni.

Montaggio della telecamera

La telecamera Serie AXIS M32 può essere montata con i cavi di rete e di alimentazione incassati nella parete o nel soffitto oppure inseriti dall'alto o dal basso. Sono previste aperture su entrambi i lati della copertura della cupola.

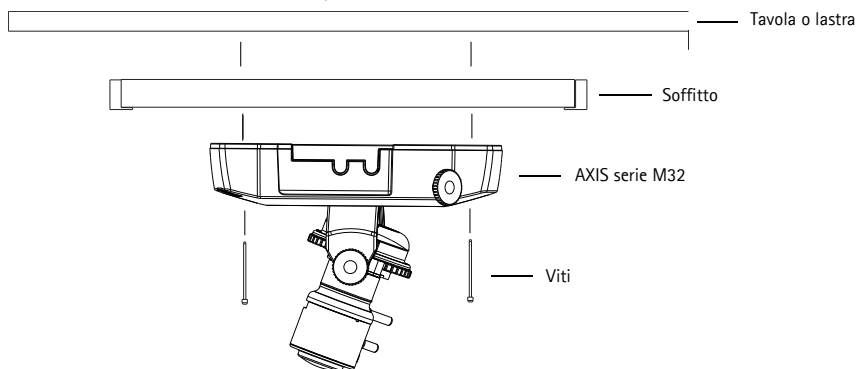
La Serie AXIS M32 può essere munita di un conduttore in metallo per proteggere i cavi nel caso in cui siano collegati tramite aperture laterali. Vedere le illustrazioni a pagina 42.

1. Eseguire due fori nel soffitto o nella parete utilizzando la sagoma fornita nella confezione. Verificare che la telecamera sia posizionata correttamente e che sia possibile stringere le viti antimanomissione con l'apposito cacciavite incluso nella confezione.
2. Collegare i cavi richiesti. Vedere *Collegamento alla rete*, a pagina 45 per informazioni dettagliate.
3. Bloccare la telecamera alla parete o al soffitto mediante viti e tasselli appropriati.
4. Passare a *Collegamento alla rete*, a pagina 45.

Montaggio su un controsoffitto

Prima di montare la telecamera Serie AXIS M32 su un controsoffitto, verificare che lo stesso sia abbastanza solido per sostenere il peso della telecamera.

La telecamera può essere fissata utilizzando una tavola o una lastra in modo da sostenerne il peso, una tavola od una lastra sono inoltre più adatte al serraggio delle viti.



La telecamera Serie AXIS M32 può essere montata utilizzando il supporto di montaggio per soffitti e controsoffitti Serie AXIS M32 che consente un montaggio più discreto. Visitare il sito web www.axis.com per informazioni su tutti gli accessori di montaggio disponibili.

Collegamento alla rete

1. Collegare la telecamera alla rete mediante un cavo di rete schermato.
2. Verificare che i LED indichino le condizioni di funzionamento corrette. Per ulteriori dettagli, vedere la tabella a pagina 43. Si noti che alcuni LED possono essere disabilitati o spenti.

4 Assegnazione di un indirizzo IP



Seguire queste istruzioni per assegnare un indirizzo IP o vedere a pagina 51 per altri metodi di connessione dell'unità Serie AXIS M32 a Internet.

Assegnazione di un indirizzo IP

La maggior parte delle reti dispone di un server DHCP che assegna automaticamente gli indirizzi IP alle periferiche connesse. Se la rete non dispone di un server DHCP, per la telecamera Serie AXIS M32 viene utilizzato l'indirizzo IP predefinito 192.168.0.90.

Per assegnare un indirizzo IP statico, utilizzare **AXIS IP Utility** o **AXIS Camera Management** in ambiente Windows. In base al numero di videocamere da installare, utilizzare il metodo che meglio si adatta alle proprie esigenze.

Entrambe le applicazioni sono disponibili gratuitamente sul CD del prodotto oppure possono essere scaricate dal sito web all'indirizzo www.axis.com/techsup.

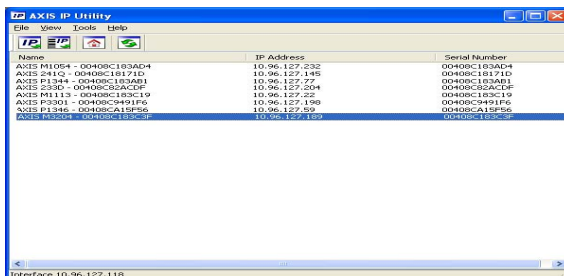
Metodo	Consigliato per	Sistema operativo
 AXIS IP Utility Vedere pagina 46	Telecamera singola Piccole installazioni	Windows
 AXIS Camera Management Vedere pagina 47	Più videocamere Grandi installazioni Installazione in una subnet diversa	Windows 2000 Windows XP Pro Windows 2003 Server Windows Vista Windows 7

Note:

- Se l'assegnazione dell'indirizzo IP non è riuscita correttamente, verificare che non siano presenti firewall che bloccano l'operazione.
- Per altri metodi di assegnazione o di rilevazione dell'indirizzo IP per la telecamera di rete Serie AXIS M32, ad esempio in altri sistemi operativi, vedere la pagina 51.

AXIS IP Utility: telecamera singola/piccole installazioni

AXIS IP Utility rileva e visualizza automaticamente i dispositivi Axis collegati alla rete. L'applicazione può anche essere utilizzata per assegnare manualmente un indirizzo IP statico.




Si tenga presente che la periferica Serie AXIS M32 deve essere installata sullo stesso segmento di rete (subnet fisica) del computer sul quale è in esecuzione AXIS IP Utility.

Rilevamento automatico

1. Verificare che la telecamera Serie AXIS M32 sia collegata alla rete e alimentata correttamente.
2. Avviare AXIS IP Utility.
3. Quando la telecamera viene visualizzata nella finestra, selezionarla con un doppio clic per aprire la home page.
4. Vedere la pagina 48 per istruzioni su come assegnare la password.

Assegnazione manuale dell'indirizzo IP (opzionale)

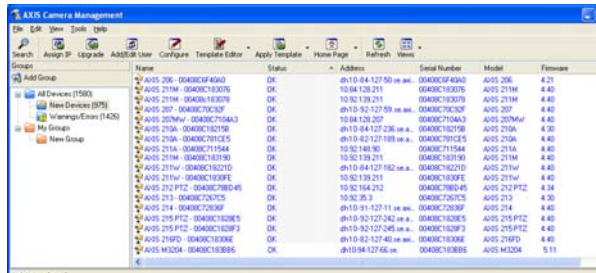
1. Acquisire un indirizzo IP non utilizzato sullo stesso segmento di rete del computer.
2. Selezionare la telecamera di rete Serie AXIS M32 dall'elenco.
3. Fare clic sul pulsante  Assign new IP address to the selected device (Assegna un nuovo indirizzo IP alla periferica selezionata) e immettere l'indirizzo IP.
4. Fare clic sul pulsante Assign (Assegna) e seguire le istruzioni visualizzate. Si tenga presente che la telecamera deve essere riavviata entro due minuti per assegnare il nuovo indirizzo IP.
5. Fare clic sul pulsante Home Page (Pagina iniziale) per accedere alle pagine web della telecamera.
6. Vedere a pagina 48 le istruzioni per impostare la password.

Nota:

Le telecamere AXIS M3203-V e AXIS M3204-V appaiono nella AXIS IP Utility come AXIS M3203 e AXIS M3204.

AXIS Camera Management: più telecamere/grandi installazioni

È possibile utilizzare AXIS Camera Management per individuare automaticamente la presenza di più periferiche Axis, visualizzare lo stato di connessione, gestire gli aggiornamenti del firmware ed assegnare gli indirizzi IP.

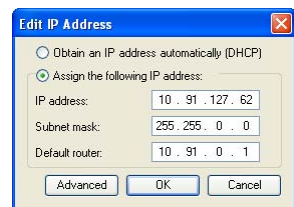


Rilevamento automatico

1. Verificare che la telecamera sia collegata alla rete e alimentata correttamente.
2. Avviare AXIS Camera Management. Quando la telecamera di rete Serie AXIS M32 viene visualizzata nella finestra, fare doppio clic per aprire la home page della telecamera.
3. Vedere a pagina 48 le istruzioni per impostare la password.

Assegnazione di un indirizzo IP ad un singolo dispositivo

1. Selezionare la telecamera di rete Serie AXIS M32 in AXIS Camera -Management e fare clic sul pulsante **Assign IP** (Assegna IP).
2. Selezionare **Assign the following IP address** (Assegna il seguente indirizzo IP) e immettere l'indirizzo IP, la subnet mask e il router predefinito utilizzati dalla periferica.
3. Fare clic sul pulsante **OK**.



ITALIANO

Assegnazione degli indirizzi IP a più telecamere

AXIS Camera Management facilita il processo di assegnazione degli indirizzi IP di più periferiche, suggerendo gli indirizzi IP in base a un intervallo specifico.

1. Selezionare le periferiche da configurare (è possibile selezionare più modelli) e fare clic sul pulsante **Assign IP** (Assegna IP).
2. Selezionare **Assign the following IP address range** (Assegna il seguente intervallo di indirizzi IP) e immettere l'intervallo di indirizzi IP, la subnet mask e il router predefinito utilizzati dalla periferica.
3. Fare clic sul pulsante **OK**.



Nota:

Le telecamere AXIS M3203-V e AXIS M3204-V appaiono in AXIS Camera Management come AXIS M3203 e AXIS M3204.

5 Impostazione della password

Per ottenere l'accesso al prodotto, è necessario impostare la password dell'utente amministratore predefinito **root**. Questa operazione può essere effettuata nella finestra di dialogo 'Configure Root Password' (Configura password root), che viene visualizzata quando si accede alla telecamera di rete Serie AXIS M32 per la prima volta.

Per evitare l'interruzione della connessione di rete durante l'impostazione della password root, è possibile eseguire questa operazione tramite la connessione crittografata HTTPS, che richiede un certificato HTTPS (vedere la nota seguente).

Per impostare la password tramite una connessione HTTP standard, inserirla direttamente nella prima finestra di dialogo mostrata di seguito.

Per impostare la password tramite una connessione HTTPS crittografata, attenersi alla seguente procedura.

1. Fare clic sul pulsante **Create self-signed certificate** (Crea certificato autofirmato).
2. Fornire le informazioni richieste e fare clic su **OK**. Il certificato viene creato e la password può essere ora impostata in modo sicuro. Da questo momento in poi tutto il traffico verso e dalla telecamera Serie AXIS M32 viene cifrato.
3. Immettere una password e reimmetterla per confermarla. Fare clic su **OK**. La password è stata ora configurata.

The image shows three overlapping screenshots of the AXIS M32 web interface. The top-left screenshot is titled 'Create Certificate' and contains a button labeled 'Create self-signed certificate...'. An arrow points from this button to the text 'Per creare una connessione HTTPS, iniziare facendo clic su questo pulsante.' The middle-left screenshot is titled 'Configure Root Password' and shows fields for 'User name: root', 'Password:', and 'Confirm password:'. An arrow points from the 'Password:' field to the text 'Per configurare la password direttamente tramite una connessione non crittografata, immettere qui la password.' The bottom-right screenshot is titled 'Create Self-Signed Certificate' and shows fields for 'Common name: * 10.92.25.211' and 'Validity: 365 days', with an 'OK' button. The bottom-right screenshot is titled 'Configure Root Password using HTTPS' and shows fields for 'User name: root', 'Password:', and 'Confirm password:'. Below these fields is an 'OK' button and a warning message: 'The password for the pre-configured administrator root must be changed before the product can be used. If the password for root is lost, the product must be reset to the factory default settings, by pressing the button located in the product's casing. Please see the user documentation for more information.'

4. Per eseguire l'accesso, inserire il nome utente "root" nella finestra di dialogo appena il programma lo richiede

Nota: non è possibile eliminare il nome utente predefinito dell'amministratore.

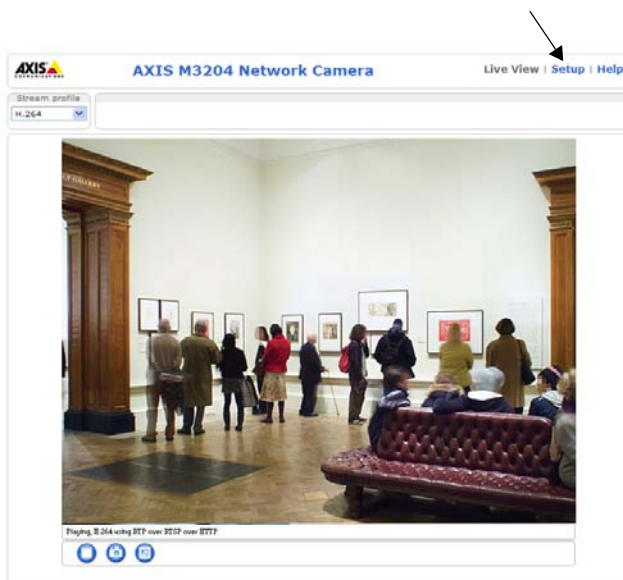
5. Inserire la password impostata in precedenza e fare clic su **OK**.

Accesso al flusso video

Viene visualizzata la pagina Immagini dal vivo della telecamera Serie AXIS M32 con i collegamenti agli strumenti di configurazione che consentono di personalizzare la telecamera.

Se necessario, fare clic su **Yes (Sì)** per installare AMC (Axis Media Control) che consente di visualizzare il flusso video in Microsoft Internet Explorer. A questo scopo è necessario disporre dei privilegi di amministratore.

Setup (Configurazione): fornisce tutti gli strumenti necessari per configurare la telecamera.



Help (Guida): visualizza la Guida in linea relativa alla modalità di utilizzo della telecamera.

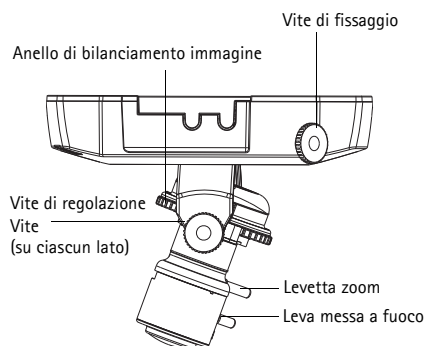
Note:

- HTTPS (Hypertext Transfer Protocol over Secure Socket Layer) è un protocollo utilizzato per crittografare il traffico tra i browser e i server web. Il certificato HTTPS controlla lo scambio crittografato di informazioni.
- Non è possibile eliminare la password root dell'utente amministratore predefinito.
- Se si smarrisce o si dimentica la password root, la telecamera Serie AXIS M32 deve essere reimpostata sulle impostazioni predefinite. Vedere a *Ripristino delle impostazioni predefinite*, a pagina 52.

6 Regolazione della messa a fuoco

Aprire la pagina Live View (Immagini dal vivo) dell'interfaccia web ed effettuare le seguenti operazioni nella telecamera:

1. Allentare la vite di fissaggio e le viti di -regolazione dell'inclinazione.
2. Posizionare l'obiettivo nella posizione desiderata.
3. Stringere delicatamente la vite di fissaggio e le viti di regolazione dell'inclinazione per bloccare la telecamera nella posizione desiderata.
4. Ruotare la ghiera di bilanciamento delle immagini per impostare la posizione orizzontale.
5. Per impostare la messa a fuoco e lo zoom, allentare le rispettive levette in senso antiorario e ruotare le ghiera.
6. Bloccare le levette di messa a fuoco e di zoom nella posizione desiderata ruotando le viti in senso orario.



Nota:

A causa della rifrazione della cupola, dopo aver posizionato la cupola è possibile che l'immagine appaia leggermente sfocata. Mettere a fuoco un oggetto leggermente più vicino della zona desiderata per compensare questa imperfezione.

È possibile inoltre ottimizzare l'immagine in caso di condizioni di ridotta luminosità. Passare a **Setup (Configurazione) > Video > Camera Settings (Impostazioni telecamera)** nell'interfaccia web della telecamera e consultare la Guida in linea per maggiori informazioni.

7 Completamento dell'installazione

1. Ruotare lo schermo di protezione di colore nero all'interno della cupola per posizionare correttamente la telecamera.
2. Pulire la cupola con un panno morbido e asciutto per rimuovere polvere e impronte digitali; utilizzare un soffietto per rimuovere la polvere dall'obiettivo.
3. Montare la cupola utilizzando le viti antimanomissione ed il cacciavite inclusi nella confezione.
4. Dopo aver posizionato la cupola, verificare di nuovo che la telecamera sia stata messa a fuoco correttamente.
5. L'installazione è completata.

Altri metodi di assegnazione dell'indirizzo IP

La seguente tabella descrive gli altri metodi disponibili assegnare o individuare l'indirizzo IP. Per impostazione predefinita, tutti i metodi sono disponibili e possono essere disabilitati.

	Utilizzo nel sistema operativo	Note
Connessione al servizio AVHS	Tutti i sistemi operativi	Per connettere la telecamera ad un server AVHS, consultare la guida all'installazione fornita dal -provider. Per informazioni e aiuto nella ricerca di un Service Provider AVHS nella propria zona, accedere a www.axis.com
AXIS Dynamic DNS Service	Tutti i sistemi operativi	Servizio gratuito fornito da Axis che consente di installare la telecamera in modo facile e veloce. È necessaria una connessione a Internet senza proxy http. Per ulteriori informazioni, visitare il sito web all'indirizzo www.axiscam.net .
ARP/Ping	Tutti i sistemi operativi	Vedere le sezioni che seguono. È necessario eseguire il comando entro 2 minuti dal collegamento dell'alimentazione alla telecamera.
UPnP™	Windows (ME o XP)	Se abilitata sul computer, la telecamera viene rilevata automaticamente e aggiunta a "Risorse di rete".
Bonjour	MAC OS X (versione 10.4 o successive)	Si applica ai browser con supporto Bonjour. Selezionare il segnalibro Bonjour nel browser (ad esempio Safari) e fare clic sul collegamento per accedere alle pagine web della telecamera.
DHCP	Tutti i sistemi operativi	Per visualizzare le pagine di amministrazione del server DHCP di rete, vedere la documentazione specifica del server.

Assegnare dell'indirizzo IP con ARP/Ping

1. Acquisire un indirizzo IP sullo stesso segmento di rete cui è connesso il computer in uso.
2. Individuare il numero di serie indicato sull'etichetta della telecamera Serie AXIS M32.
3. Aprire una finestra MS-DOS sul computer e digitare i seguenti comandi:

Sintassi di Windows:	Esempio di Windows:
arp -s <Indirizzo IP> <Numero di serie> ping -l 408 -t <Indirizzo IP>	arp -s 192.168.0.125 00-40-8c-18-10-00 ping -l 408 -t 192.168.0.125
Sintassi di UNIX/Linux/Mac:	Esempio di UNIX/Linux/Mac:
arp -s <Indirizzo IP> <Numero di serie> temp ping -s 408 <Indirizzo IP>	arp -s 192.168.0.125 00:40:8c:18:10:00 temp ping -s 408 192.168.0.125

4. Verificare che il cavo di rete sia collegato alla telecamera, quindi avviare/riavviare la telecamera, scollegando e ricollegando l'alimentazione.
5. Chiudere la finestra MS-DOS appena viene visualizzato il messaggio "Reply from 192.168.0.125:" (Risposta da 192.168.0.125) o altro messaggio simile.

6. Nel browser immettere `http://<indirizzo IP>` nel campo dell'indirizzo e premere Invio sulla tastiera.

Note:

- Per aprire una finestra MS-DOS in Windows: dal menu Start, scegliere Esegui... e digitare `cmd`. Fare clic su OK.
- Per utilizzare il comando ARP in Mac OS X, usare l'utility Terminal, in Applicazioni > Utilità.

Ripristino delle impostazioni predefinite

Questa procedura consente di ripristinare le impostazioni predefinite per tutti i parametri, incluso l'indirizzo IP.

1. Scollegare l'alimentazione dalla telecamera.
2. Tenere premuto il pulsante Control e ricollegare il cavo di alimentazione.
3. Tenere premuto il pulsante Control fino a quando l'indicatore di alimentazione emette una luce gialla lampeggiante (l'operazione può richiedere fino a 15 secondi).
4. Rilasciare il pulsante di comando. Quando l'indicatore di alimentazione diventa verde (l'operazione può richiedere fino a 1 minuto) la procedura è completata e sono state ripristinate le impostazioni predefinite per la telecamera.
5. Riassegnare l'indirizzo IP utilizzando uno dei metodi descritti in questo documento.

È possibile inoltre reimpostare i parametri alle impostazioni predefinite in fabbrica mediante l'interfaccia web. Per ulteriori informazioni, consultare la Guida in linea o la Guida per l'utente.

Accesso alla telecamera da Internet

Dopo l'installazione, la telecamera Serie AXIS M32 è accessibile nella rete locale (LAN). Per accedere alla telecamera da Internet, è necessario configurare i router di rete per consentire il traffico in entrata, che di norma avviene su una porta specifica.

- Porta HTTP (porta predefinita 80) per la visualizzazione e la configurazione
- Porta RTSP (porta predefinita 554) per la visualizzazione di flussi video in formato H.264

Per ulteriori istruzioni, consultare la documentazione del router. Per maggiori informazioni su questo e altri argomenti, visitare il sito web per il supporto Axis all'indirizzo www.axis.com/techsup

Ulteriori informazioni

La Guida per l'utente è disponibile sul sito web di Axis all'indirizzo www.axis.com oppure sul CD fornito con il prodotto.

Suggerimento

Visitare il sito di Axis all'indirizzo www.axis.com/techsup per verificare se sono stati pubblicati aggiornamenti per la telecamera di rete Serie AXIS M32. Per conoscere la versione installata del firmware, vedere >About (Informazioni su) nella pagina Setup (Configurazione).

Serie AXIS M32 Guía de instalación

Esta guía de instalación incluye las instrucciones necesarias para instalar las cámaras de la Serie AXIS M32 en su red. Para obtener información sobre cualquier cuestión relacionada con el uso del producto, consulte el Manual del usuario, disponible en el CD que se incluye en este paquete, o la página www.axis.com/techsup.

Pasos para la instalación

1. Verifique el contenido del paquete con la lista que aparece más abajo.
2. Presentación del hardware. Consulte la página 54.
3. Instale el hardware. Consulte la página 56.
4. Asignación de una dirección IP. Consulte la página 57.
5. Configuración de la contraseña. Consulte la página 60.
6. Ajuste el enfoque. Consulte la página 62.
7. Complete la instalación. Consulte la página 62.

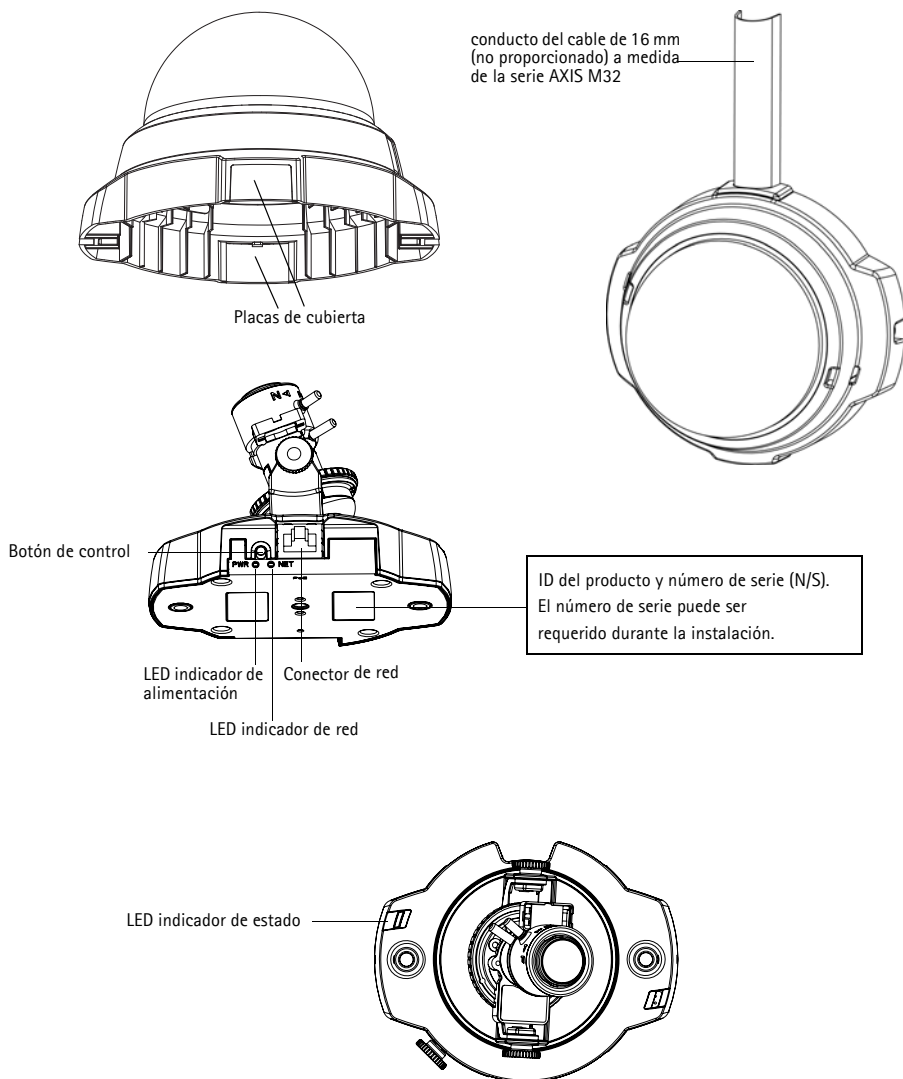
Importante:

Este producto debe utilizarse de conformidad con la legislación y normativas locales.

1 Contenido del paquete

Artículo	Modelos/variantes/notas
Cámara Serie AXIS M32	AXIS M3203 - Cámara de red a prueba de manipulaciones AXIS M3203-V - Cámara de red a prueba de agresiones AXIS M3204 - Cámara de red a prueba de manipulaciones AXIS M3204-V - Cámara de red a prueba de agresiones
Kit de montaje	Destornillador para tornillos de alta resistencia 2 tornillos a prueba de manipulaciones (M4x16 Resitorx) Plantilla de taladro
CD	CD de los productos de vídeo en red de AXIS, incluida la documentación del producto, herramientas de instalación y otro software
Material impreso	Guía de instalación de Serie AXIS M32 (este documento) Documento de garantía de Axis, Clave de autenticación AVHS

2 Presentación del hardware



Dimensiones

Alt. x Anch. x Prof. = 94 x 144 x 132 mm (3.7" x 5.7" x 5.2")

AXIS M3203, AXIS M3204: 425 g (0.94 lb)

AXIS M3203-V, AXIS M3204-V: 580 g (1.28 lb)

Indicadores LED

LED	Color	Indicación
Red	Verde	Fijo para indicar la conexión a una red de 100 Mb/s. Parpadea para indicar actividad en la red.
	Ámbar	Fijo para indicar la conexión a una red de 10 Mb/s. Parpadea para indicar actividad en la red.
	Apagado	Desconexión de la red.
Estado	Verde	Verde fijo para indicar funcionamiento normal. Nota: Puede configurarse el LED de estado para que esté apagado durante el funcionamiento normal o para que parpadee únicamente cuando se accede a la cámara. Para configurarlo, vaya a Setup > System > Options > LED (Configuración > Opciones del sistema > LED) . Para más información, consulte los archivos de ayuda en línea.
	Ámbar	Fijo durante el inicio o durante el restablecimiento de los valores o la configuración iniciales.
	Rojo	Parpadeo lento si no se puede realizar una actualización.
Alimentación	Verde	Funcionamiento normal.
	Ámbar	Parpadeo en verde/ámbar durante la actualización del firmware.

3 Instalación del hardware

- !** **IMPORTANTE:** - La carcasa de las cámaras AXIS M3203-V y AXIS M3204-V no ha sido certificada para uso en exteriores: el producto puede instalarse sólo en interiores.

Montaje de la cámara

Las cámaras de red Serie AXIS M32 pueden montarse haciendo pasar los cables guiados a través de la pared o el techo, desde arriba o desde abajo. Existen placas de cubiertas para aberturas a los dos lados de la cubierta de la cúpula.

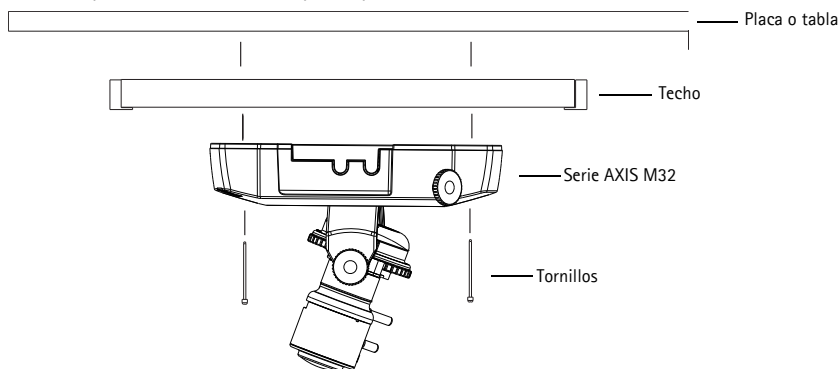
La Serie AXIS M32 también se puede instalar con un conducto metálico para proteger el cableado cuando se conecte a través de las aberturas laterales. Consulte las ilustraciones de la página 54.

1. Utilizando la plantilla de taladro, haga dos orificios en el techo o la pared. Asegúrese de que la cámara está colocada de modo que los tornillos de alta resistencia puedan apretarse utilizando el destornillador suministrado.
2. Extienda los cables requeridos. Consulte *Conexión a la red*, en la página 57 para más detalles.
3. Fije la cámara al techo o la pared con los tornillos y tacos adecuados para el material del techo o la pared.
4. Siga con *Conexión a la red*, en la página 57.

Montaje en falso techo

Para montar la Serie AXIS M32 en un falso techo, compruebe que el techo es suficientemente resistente para soportar el peso de la cámara.

La cámara también puede ser fijada si se usa una placa o tabla que pueda soportar mejor el peso de la cámara y que sea más adecuada para apretar los tornillos.



La Serie AXIS M32 también puede montarse usando el montaje del falso techo de Serie AXIS M32, que permite que la cámara quede montada con más discreción. Por favor visite www.axis.com para comprobar qué accesorios de montaje están disponibles.

Conexión a la red

1. Conecte la cámara a la red con un cable de red blindado (STP).
2. Compruebe que los indicadores LED indican las condiciones adecuadas. Para obtener información más detallada, consulte la tabla de la página 55. Tenga en cuenta que algunos LED pueden deshabilitarse y puede que se encuentren apagados.

4 Asignación de una dirección IP



Siga estas instrucciones para asignar una dirección IP o consulte la página 63 para ver otros métodos para conectar Serie AXIS M32 a Internet.

Asignación de una dirección IP

Actualmente, la mayoría de redes disponen de un servidor DHCP que asigna direcciones IP a los dispositivos conectados de forma automática. Si su red no dispone de un servidor DHCP, Serie AXIS M32 utilizará 192.168.0.90 como dirección IP predeterminada.

Si desea asignar una dirección IP estática, el método recomendado en Windows es **AXIS IP Utility** o **AXIS Camera Management**. En función del número de cámaras que desee instalar, deberá utilizar el método que se adapte mejor a sus necesidades.

Ambas aplicaciones son gratuitas y están disponibles en el CD del producto de vídeo en red de Axis suministrado con este producto o pueden descargarse de www.axis.com/techsup.

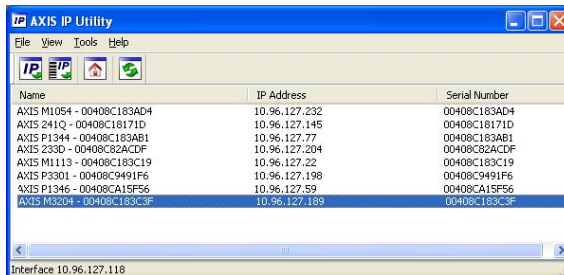
Método	Recomendado para	Sistema operativo
 AXIS IP Utility Consulte la página 58	Cámaras individuales Instalaciones pequeñas	Windows
 AXIS Camera Management Consulte la página 59	Varias cámaras Instalaciones grandes Instalación en una subred diferente	Windows 2000 Windows XP Pro Windows 2003 Server Windows Vista Windows 7

Notas:

- Si no puede asignar la dirección IP, compruebe que no haya ningún cortafuegos que bloquee la operación.
- Consulte la página 63 para conocer otros métodos para asignar o detectar la dirección IP de la Serie AXIS M32, por ejemplo, en otros sistemas operativos.

AXIS IP Utility: para cámaras individuales o instalaciones pequeñas

AXIS IP Utility detecta y muestra automáticamente los dispositivos Axis que existen en la red. Además, esta aplicación puede utilizarse para asignar manualmente una dirección IP estática.




Recuerde que el equipo que ejecute AXIS IP Utility debe instalarse en el mismo segmento de red (subred física) que la Serie AXIS M32.

Detección automática

1. Compruebe que la Serie AXIS M32 está conectada a la red y que recibe alimentación.
2. Inicie AXIS IP Utility.
3. Cuando la cámara aparezca en la ventana, haga doble clic en ella para abrir su página de inicio.
4. Consulte la página 60 para obtener instrucciones sobre cómo asignar la contraseña.

Asignación manual de la dirección IP (opcional)

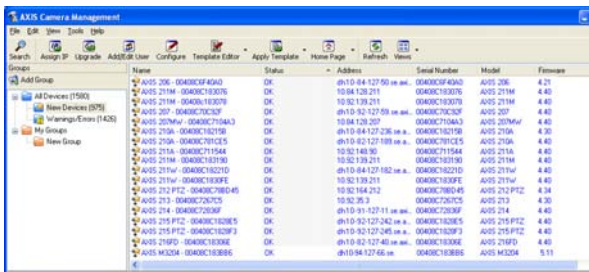
1. Obtenga una dirección IP que no esté en uso y que se encuentre en el mismo segmento de red de la que su equipo.
2. Seleccione la cámara de red de la Serie AXIS M32 en la lista.
3. Haga clic en el botón  Asignar nueva dirección IP al dispositivo seleccionado e introduzca la dirección IP.
4. Haga clic en el botón **Asignar** y siga las instrucciones que aparecen en la pantalla. Recuerde que la cámara debe reiniciarse en los dos minutos siguientes a la configuración de la dirección IP.
5. Haga clic en el botón **Página de inicio** para acceder a las páginas Web de la cámara.
6. Consulte la página 60 para obtener instrucciones sobre cómo configurar la contraseña.

Nota:

AXIS M3203-V y AXIS M3204-V aparecerán en AXIS IP Utility como AXIS M3203 y AXIS M3204.

AXIS Camera Management: para varias cámaras e instalaciones grandes

AXIS Camera Management puede detectar automáticamente varios dispositivos Axis, mostrar el estado de la conexión, administrar las actualizaciones del firmware y configurar direcciones IP.



Detección automática

1. Compruebe que la cámara esté conectada a la red y que recibe alimentación.
2. Inicie AXIS Camera Management. Cuando aparezca la cámara de red de la Serie AXIS M32 en la ventana, haga doble clic en ella para abrir la página de inicio.
3. Consulte la página 60 para obtener instrucciones sobre cómo configurar la contraseña.

Asignación de una dirección IP en un dispositivo individual

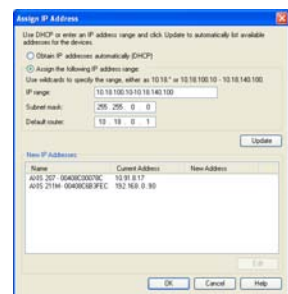
1. Seleccione la cámara de red de la Serie AXIS M32 en AXIS Camera Management y haga clic en el botón **Asignar IP**.
2. Seleccione **Asignar la dirección siguiente** e introduzca la dirección IP, la máscara de subred y el router predeterminado que utilizará el dispositivo.
3. Haga clic en el botón **Aceptar**.



Asignación de direcciones IP en varios dispositivos

AXIS Camera Management acelera el proceso de asignación de direcciones IP en varios dispositivos indicando el rango de direcciones IP disponibles dentro de un intervalo especificado.

1. Seleccione los dispositivos que desee configurar (se pueden seleccionar varios modelos) y haga clic en el botón **Asignar IP**.
2. Seleccione **Asignar el siguiente rango de direcciones IP** e introduzca las direcciones IP, la máscara de subred y el router predeterminado que utilizará el dispositivo.
3. Haga clic en el botón **Aceptar**.



Nota:

AXIS M3203-V y AXIS M3204-V aparecerán en AXIS Camera Management como AXIS M3203 y AXIS M3204.

5 Configuración de la contraseña

Para poder acceder al producto, hay que configurar la contraseña del usuario predeterminado para el administrador root. Aparecerá el cuadro de diálogo 'Configurar contraseña de root' cuando se acceda a la cámara de red Serie AXIS M32 por primera vez.

Para evitar la interceptación de la contraseña de root cuando se configura, este proceso se puede realizar a través de una conexión HTTPS cifrada, que precisa un certificado HTTPS (consulte la nota más abajo).

Para configurar la contraseña a través de una conexión HTTP estándar, escribala directamente en el primer cuadro de diálogo que se muestra a continuación.

Para configurar la contraseña a través de una conexión HTTPS cifrada, siga estos pasos:

1. Haga clic en el botón **Crear un certificado de autofirma**.
2. Proporcione la información que se le solicita y haga clic en **Aceptar**. Se creará el certificado y se podrá configurar la contraseña con seguridad. Todo el tráfico hacia y desde la Serie AXIS M32 estará cifrado a partir de este momento.
3. A continuación, escriba una contraseña y vuelva a escribirla para confirmarla. Haga clic en **Aceptar**. La contraseña ya se ha configurado.

Para crear una conexión HTTPS, empiece haciendo clic en este botón.

Para configurar directamente la contraseña a través de una conexión sin cifrar, escriba aquí la contraseña.

4. Para iniciar sesión, escriba el nombre de usuario 'root' en el cuadro de diálogo.

Nota:

El nombre de usuario predeterminado para el administrador root no se puede borrar.

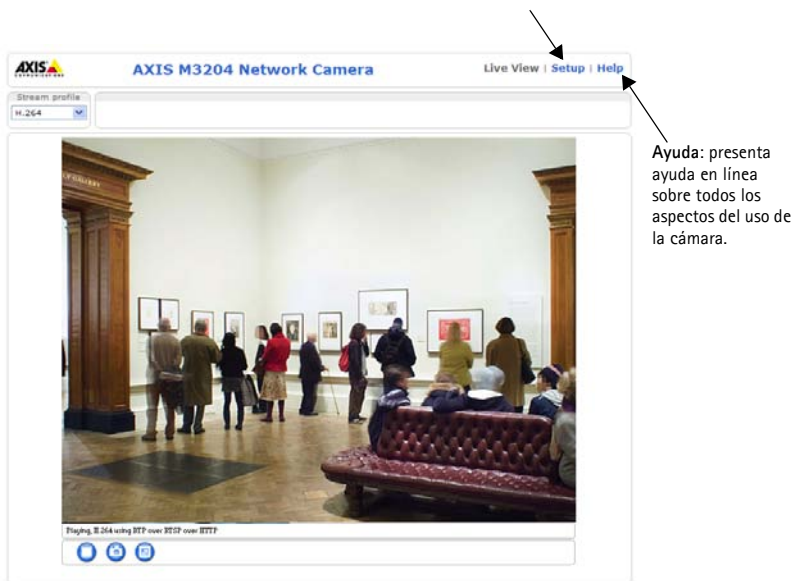
5. Escriba la contraseña que introdujo anteriormente y haga clic en **Aceptar**.

Acceso a la transmisión de vídeo

La página Live View de la Serie AXIS M32 aparece con enlaces a los menús de enlace de configuración que le permiten personalizar la cámara.

En caso necesario, haga clic en **Sí** para instalar el AMC (AXIS Media Control) y así permitir la visualización de la transmisión de vídeo en Internet Explorer. Para ello, debe tener derechos de administrador en su equipo.

Configuración: proporciona todas las herramientas necesarias para configurar la cámara según sus necesidades.



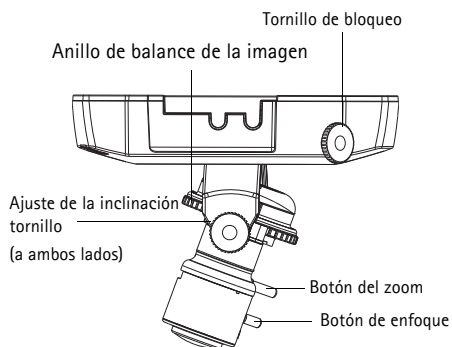
Notas:

- HTTPS (Hypertext Transfer Protocol over Secure Socket Layer) es un protocolo usado para cifrar el tráfico entre navegadores y servidores en red. El certificado HTTPS controla el intercambio cifrado de información.
- El usuario administrador root predeterminado no se puede borrar.
- Si ha perdido u olvidado la contraseña root, la Serie AXIS M32 debe restablecerse a los valores iniciales. Consulte *Restablecimiento de la configuración predeterminada de fábrica*, en la página 64.

6 Ajuste la imagen y el enfoque

Abra la página Live View en la interfaz de la web y realice los siguientes ajustes en la cámara:

1. Afloje el tornillo de bloqueo e incline los tornillos de ajuste.
2. Gire la lente hasta la posición deseada.
3. Una vez que haya conseguido la posición deseada, apriete con cuidado el tornillo de bloqueo y los tornillos de ajuste de la inclinación para fijar la posición de la cámara.
4. Gire el anillo de balance de la imagen para establecer la posición horizontal.
5. Para establecer el enfoque y el zoom, afloje los botones del zoom y del enfoque en el sentido contrario a las agujas del reloj y gire los anillos.
6. Bloquee los botones de enfoque y zoom en posición girando los tornillos en el sentido de las agujas del reloj.



Nota:

Debido a la refracción de la burbuja, puede que la imagen aparezca ligeramente desenfocada una vez que se haya colocado la burbuja. Para compensarlo, enfoque un objeto ligeramente más cercano que la zona que nos interesa.

La imagen también puede ajustarse en caso de poca iluminación.

Vaya a Setup > Vídeo > Camera Settings (**Configuración > Vídeo > Configuración de la cámara**) en la interfaz web de la cámara y consulte la ayuda en línea para obtener más información.

7 Complete la instalación

1. Gire el revestimiento de protección negro del interior de la carcasa de la burbuja para que coincida con la posición de la cámara.
2. Limpie la burbuja con un trapo suave y seco para eliminar el polvo y las huellas dactilares y utilice un soplador para retirar el polvo de la lente.
3. Monte la carcasa de la burbuja utilizando los tornillos de alta resistencia y el destornillador suministrados.
4. Ahora que la burbuja está en su sitio, vuelva a comprobar que la cámara está correctamente enfocada.
5. La instalación ha finalizado.

Otros métodos para configurar la dirección IP

Esta tabla presenta otros métodos disponibles para configurar o detectar la dirección IP. Todos los métodos están habilitados de forma predeterminada y es posible deshabilitarlos.

	Uso en sistema operativo	Notas
Servicio de conexión AVHS	Todos	Para conectar la cámara a un servidor AVHS, consulte la guía de instalación del proveedor del servidor. Para obtener información y asistencia para encontrar un Proveedor local de Servicio AVHS, visite www.axis.com .
Servicio de DNS dinámico de AXIS	Todos	Servicio gratuito suministrado por Axis que permite instalar la cámara de forma rápida y sencilla. Es necesario disponer de conexión a Internet sin proxy HTTP. Para más información, consulte www.axiscam.net .
ARP/Ping	Todos	Véase más adelante. El comando debe emitirse en los dos minutos posteriores al encendido de la cámara.
UPnP™	Windows (ME o XP)	La cámara se detecta y añade a "Mis sitios de red" automáticamente, siempre que esta opción esté habilitada en el equipo.
Bonjour	MAC OSX (10.4 o posterior)	Aplicable a navegadores compatibles con Bonjour. Navegue hasta el favorito Bonjour del explorador (p. ej., Safari) y haga clic en el vínculo para acceder a las páginas Web de la cámara.
DHCP	Todos	Para acceder a las páginas de administración del servidor DHCP en red, consulte la documentación del servidor.

Configuración de la dirección IP con ARP/Ping

1. Adquiera una dirección IP en el mismo segmento de red en el que está conectado su equipo.
2. Localice el número de serie (S/N) en la etiqueta de la Serie AXIS M32.
3. Abra una línea de comando en su equipo y escriba los comandos siguientes:

Sintaxis en Windows:	Ejemplo en Windows:
arp -s <Dirección IP> <Número de serie> ping -l 408 -t <Dirección IP>	arp -s 192.168.0.125 00-40-8c-18-10-00 ping -l 408 -t 192.168.0.125
Sintaxis en UNIX/Linux/Mac:	Ejemplo en UNIX/Linux/Mac:
arp -s <Dirección IP> <Número de serie> temp ping -s 408 <Dirección IP>	arp -s 192.168.0.125 00:40:8c:18:10:00 temp ping -s 408 192.168.0.125

4. Compruebe que el cable de red está conectado a la cámara y desconecte y vuelva a conectar la corriente para iniciarla o reiniciarla.
5. Cierre la línea de comando cuando vea "Respuesta de 192.168.0.125:" o similar.
6. En el explorador, escriba <http://<dirección IP>> en el campo Ubicación/Dirección y pulse Intro en el teclado.

Notas:

- Para abrir una línea de comando en Windows: desde el menú Inicio, seleccione Ejecutar... y escriba cmd. Haga clic en Aceptar.
- Para utilizar el comando ARP en un sistema operativo Mac OS X, utilice la herramienta Terminal, que se encuentra en Aplicaciones > Utilidades.

Restablecimiento de la configuración predeterminada de fábrica

Esta operación restaurará todos los parámetros, incluida la dirección IP, a los valores iniciales:

1. Desconecte la alimentación de la cámara.
2. Mantenga pulsado el botón de Control y vuelva a conectar la alimentación.
3. Mantenga presionado el botón de control hasta que el indicador de alimentación encienda una luz ámbar (puede tardar hasta 15 segundos).
4. Suelte el botón Control. Cuando el indicador de alimentación emita una luz verde (puede tardar hasta 1 minuto), ha finalizado el proceso y se han restablecido los valores iniciales de la cámara.
5. Vuelva a asignar la dirección IP, utilizando uno de los métodos descritos en este documento.

También es posible restablecer los valores predeterminados originales mediante la interfaz Web. Si desea más información, consulte la ayuda en línea o el manual del usuario.

Acceso a la cámara desde Internet

Una vez instalada, su Serie AXIS M32 es accesible desde su red local (LAN). Para acceder a la cámara desde Internet, los routers de red deben configurarse para permitir tráfico entrante, que normalmente se realiza en un puerto específico.

- Puerto HTTP (puerto 80 predeterminado) para visualización y configuración
- Puerto RTSP (puerto 554 predeterminado) para visualización de transmisiones de vídeo H.264

Consulte la documentación de su router para obtener más instrucciones. Si desea más información sobre éste y otros temas, visite la página web de soporte de Axis en www.axis.com/techsup

Más información

El manual del usuario está disponible en el sitio web de Axis, www.axis.com, o en el CD de productos de vídeo en red de Axis suministrado con este producto.

Un consejo:

Visite www.axis.com/techsup para comprobar si hay firmware actualizado disponible para su cámara de red de la Serie AXIS M32. Para consultar la versión firmware que tiene instalada actualmente, vaya a **Setup > Basic Setup** (Configuración > Configuración Básica).

Installation Guide

AXIS M32 Series

© Axis Communications AB, 2010

Ver.1.2

Printed: April 2010

Part No. 38987