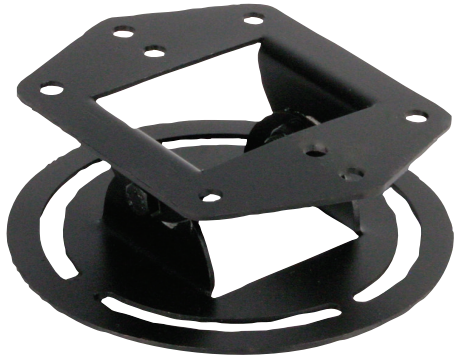




EXMB.061 Pole Top Bracket



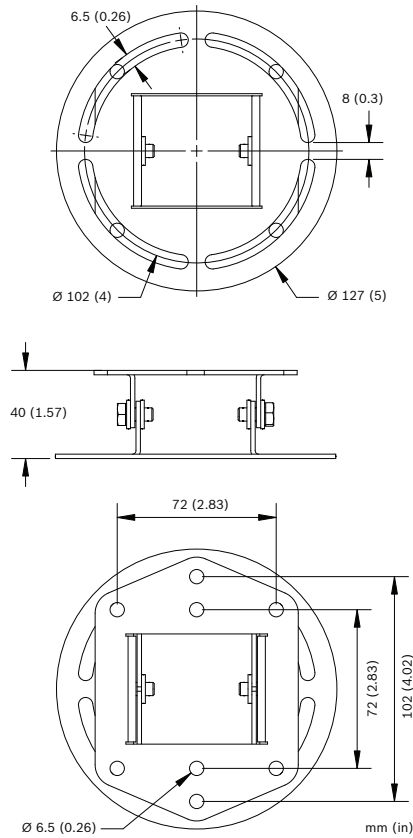
The EXMB.061 is a 4-inch PCD pole top bracket for a variety of CCTV Integrated Day/Night and license plate capture cameras.

The EXMB.061 has an innovative symmetrical design to help ensure balanced weight distribution. Robust stainless steel design provides hassle-free durability even through years of extreme weather abuse.

Fast, simple and easy to install, the EXMB.61 provides a clean, sleek solution for pole mounted applications.

Installation/Configuration Notes

Dimensions



Technical Specifications

Construction	Stainless steel
Finish	Black
Weight	0.3 kg (0.67 lb)
Maximum Load	10 kg (22 lb)
Minimum. Pole Top Diameter	105 mm (4.13 in)

Ordering Information

EXMB.061 Pole Top Bracket
Stainless Pole Top Bracket

EXMB.061

Americas:
Bosch Security Systems, Inc.
130 Perinton Parkway
Fairport, New York, 14450, USA
Phone: +1 800 289 0096
Fax: +1 585 223 9180
security.sales@us.bosch.com
www.boschsecurity.us

Europe, Middle East, Africa:
Bosch Security Systems B.V.
P.O. Box 80002
5600 JB Eindhoven, The Netherlands
Phone: +31 40 2577 284
Fax: +31 40 2577 330
emea.securitysystems@bosch.com
www.boschsecurity.com

Asia-Pacific:
Robert Bosch (SEA) Pte Ltd, Security Systems
11 Bishan Street 21
Singapore 573943
Phone: +65 6258 5511
Fax: +65 6571 2698
apr.securitysystems@bosch.com
www.boschsecurity.com