

AXIS T8412 Installation Display

Handheld device for fast and easy camera setup.



- > Simplifies setting the camera's viewing angle and focus
- > Power over Ethernet for powering cameras
- > User-friendly
- > Snapshot function
- > Supports both Axis network video products and analog cameras

AXIS T8412 Installation Display is a battery-powered handheld device that greatly simplifies the field installation of Axis network video cameras and analog cameras.

AXIS T8412 connects directly to a camera and displays live video, which simplifies the setting of the camera's viewing angle and focus. When installing Axis network video cameras, installers usually rely on a laptop or a remote computer to set up a camera. In field installations the use of a laptop may be awkward when installers work from sky lifts or ladders. With its simple handheld design, AXIS T8214 can be used in any installation site.

An Axis network video camera with built-in Power over Ethernet support can be powered directly by AXIS T8412, which gives greater flexibility in field installations. Power is delivered from the device's battery or through Power over Ethernet by-pass from an alternative power source.

AXIS T8412 has user-friendly features, such as touch-screen, zoom and snapshot functions. For full zoom in the live video, only a simple tap on the touchscreen is needed. By pressing the snapshot button, snapshots can be saved to internal memory, or to a connected Micro SD card or USB device.

AXIS T8412 connects directly to the network video camera using the Ethernet port or BNC port when installing analog cameras. AXIS T8412 can also be connected to a network and search for Axis network video products.



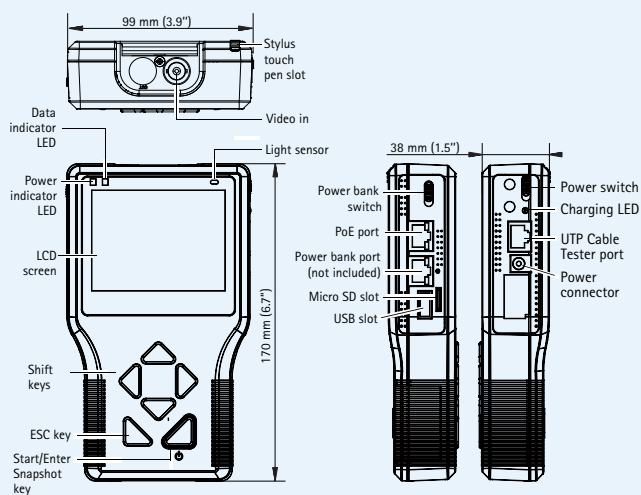
Technical specifications – AXIS T8412 Installation Display

Display	
Color LCD Field Display	3.5 inches
Resolutions	320x240
Video	
Image settings	Autosensing
Network	
IP Setting	Static IP address, DHCP

General	
Casing	ABS plastic
Memory	128 MB RAM (16 MB available for snapshots)
Power	12 V DC
Battery	Canon BP-915 (7.4 V 2000 mAh) 80% capacity after 300 charge cycles Charge time 3.5 hours Operation time 3 hours with PoE off, 2 hours with PoE on
Connectors	BNC Video in RJ-45 10BASE-T/100BASE-TX PoE IEEE 802.3af class CAT-5 USB 2.0 PoE
Operating conditions	0–50 °C (32–122 °F) Humidity 20–80% RH (non-condensing)
Local Storage	SD/SDHC memory card slot (card not included)
Approvals	USA/FCC Class A Europe/CE Class A
Dimensions (HxWxD)	170 x 99 x 38 mm (6.7" x 3.9" x 1.5")
Weight (with battery)	450 g (0.99 lb.)
Included accessories	Soft carrying case with sunshield, protective rubber sleeve, built-in stylus for touch screen, Terminal block for CAT-5 Cable test, Ethernet cable, BNC cable, car charger 12 V DC, power supply, User's Guide

More information is available at www.axis.com

Dimensions



Compatible products

Axis network cameras



Axis video encoders

